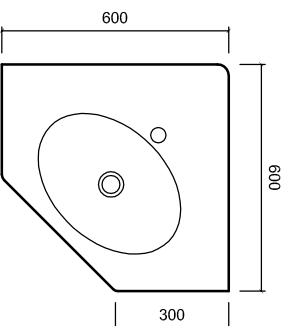
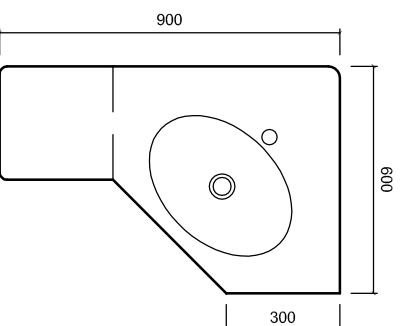


## CORNER

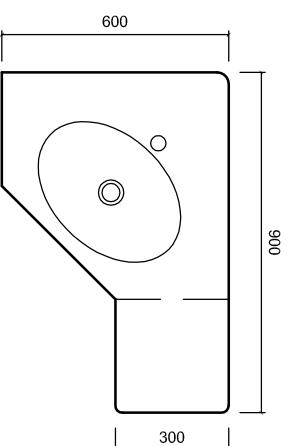
Code: 00701



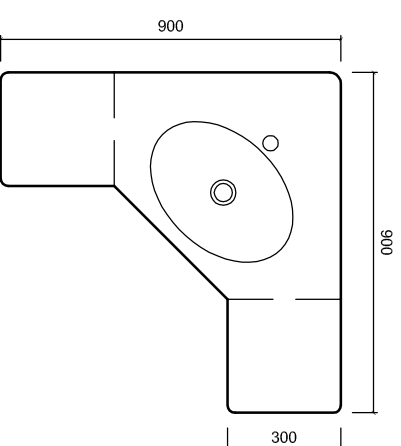
Code: 01401



Code: 01501



Code: 00801



## Contact:

2 Enterprise Drive (off Corban Avenue),  
Henderson,  
Auckland,  
NEW ZEALAND

Phone: 64 (9) 837-4276

Fax: 64 (9) 837-4325

Email: [info@stmichel.co.nz](mailto:info@stmichel.co.nz)Website: [www.stmichel.co.nz](http://www.stmichel.co.nz)

## Drawing Title

CORNER\_00701  
CORNER\_01501  
CORNER\_01401  
CORNER\_00801

## Note

Diagonal measurement for back corner to front 635  
Inlet type basin

## Xrefs Attached:

File Name	Scale at A4
CORNER_INTGRAD.WG	1:20
Date Drawn	Job No
April 2008	
Drawn by:	Revision
NG	A