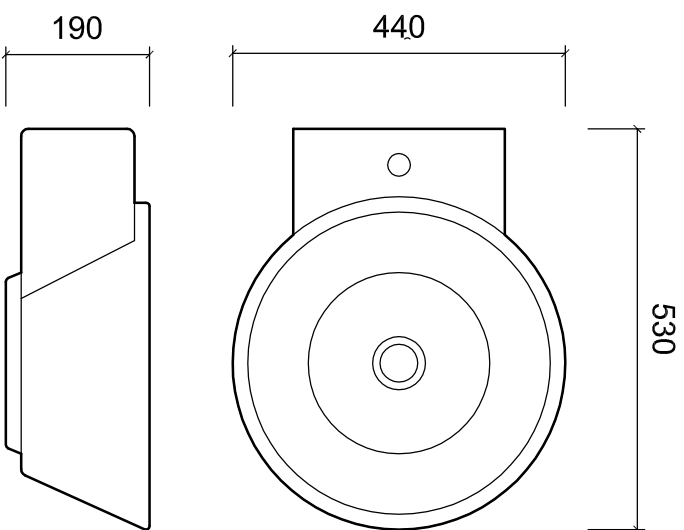


CENTRE

Code: 25101



Contact:

2 Enterprise Drive (off Corban Avenue),
Henderson,
Auckland,
NEW ZEALAND

Phone: 64 (9) 837-4276

Fax: 64 (9) 837-4325

Email: info@stmichel.co.nz

Website: www.stmichel.co.nz

Drawing Title

CENTRE_25101

Note:

Available finish only or complete with stainless rail.

Xref's Attached

File Name:	CENTRE.DWG	Scale at Au:	1:10
------------	------------	--------------	------

Date Drawn:	April 2008	Job No:	
-------------	------------	---------	--

Drawn By:	NS	Revision:	A
-----------	----	-----------	---