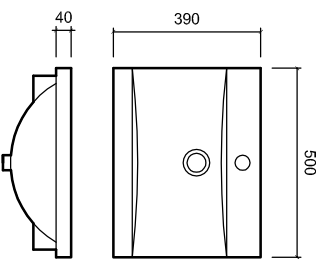
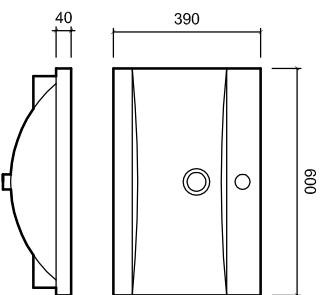


# CLEVER

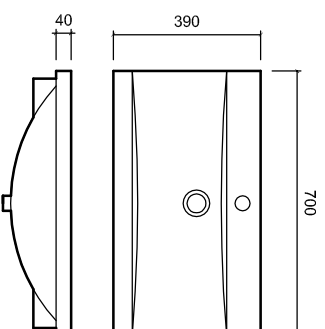
Code: 21501



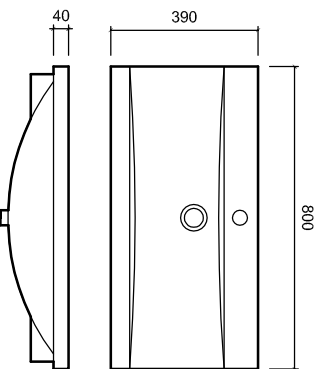
Code: 21601



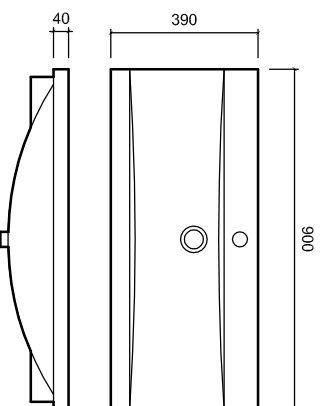
Code: 21701



Code: 21801



Code: 21901



CONTACT:

2 Enterprise Drive (off Corban Avenue),  
Henderson,  
Auckland,  
NEW ZEALAND

Phone: 64 (9) 837-4276

Fax: 64 (9) 837-4325

Email: [Info@stmichel.co.nz](mailto:Info@stmichel.co.nz)

Website: [www.stmichel.co.nz](http://www.stmichel.co.nz)

DRAWING TITLE

CLEVER\_21501  
CLEVER\_21601  
CLEVER\_21701  
CLEVER\_21801  
CLEVER\_21901

NOTE:

XREFS ATTACHED

File Name: CLEVER.DWG  
Scale at Plot: 1:20

Date Drawn: April 2008  
Job No:

Drawn By: NG  
Revision: A