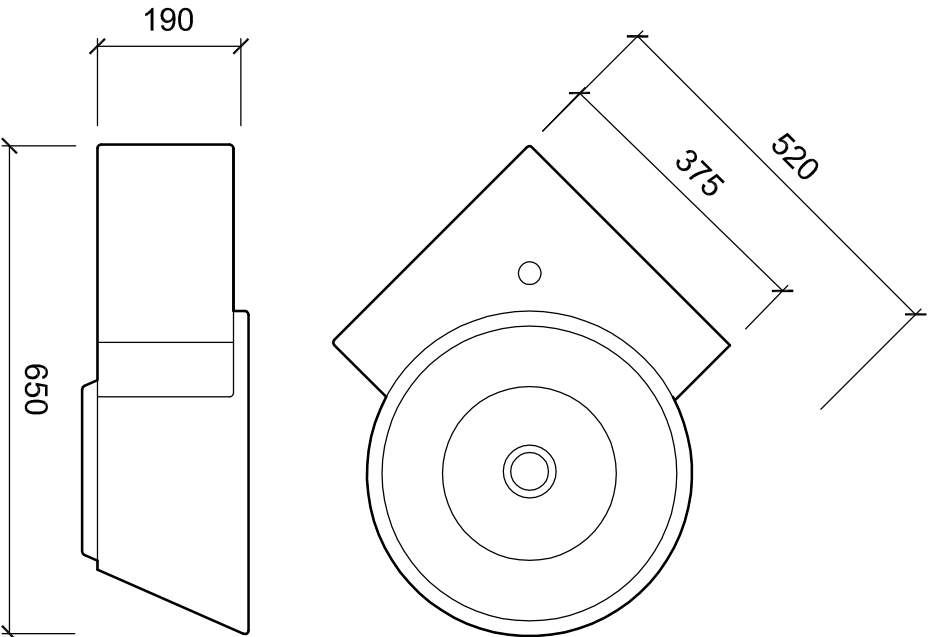


CORNER

Code: 25301



COMPANY

st.michel
BATHROOMWARE

CONTACT:

2 Enterprise Drive (off Corban Avenue),
Henderson,
Auckland,
NEW ZEALAND

Phone: 64 (9) 837-4276

Fax: 64 (9) 837-4325

Email: info@stichel.co.nz

Website: www.stichel.co.nz

Drawing Title:

CORNER_25301

Note:

Supplied complete with Stainless Fall. Code: 96000

Notes Attached:

File Name:	Scale at A4:
CORNER.DWG	1:10
Date Drawn:	Job No:
March 2008	
Drawn By:	Revision:
NG	A