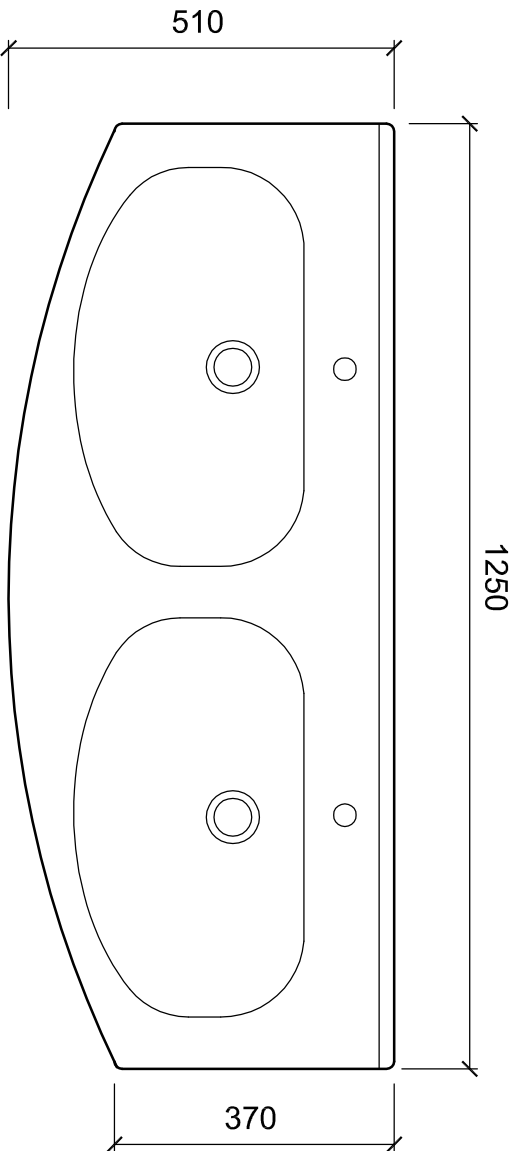


DUCALE
Code: 24801



Contact:

2 Enterprise Drive (off Corban Avenue),
Henderson,
Auckland,
NEW ZEALAND

Phone: 64 (9) 837-4276

Fax: 64 (9) 837-4325

Email: info@stmichel.co.nz

Website: www.stmichel.co.nz

Drawing Title

DUCALE_24801

Note:

Xrefs Attached:

File Name	Scale at Plot
DUCALE.DWG	1:10
Date Drawn	Job No.
April 2008	
Drawn By	Revision
MS	A