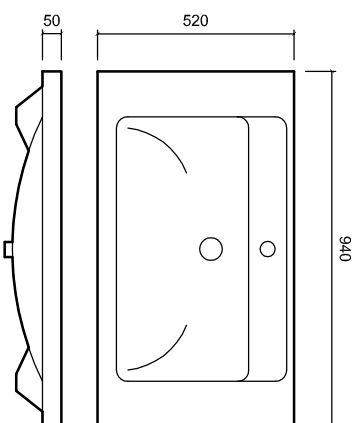
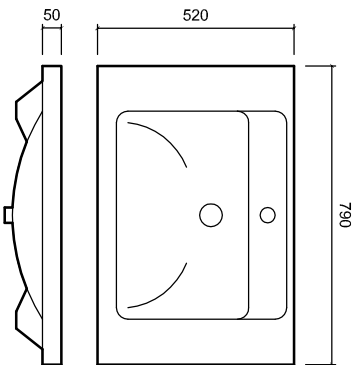


# ELEGANCE

Code: 22001

Code: 22101



Contact:  
2 Enterprise Drive (off Corban Avenue),  
Henderson,  
Auckland,  
NEW ZEALAND

Phone: 64 (9) 837-4276

Fax: 64 (9) 837-4325

Email: [Info@stmichel.co.nz](mailto:Info@stmichel.co.nz)

Website: [www.stmichel.co.nz](http://www.stmichel.co.nz)

Drawing Title

ELEGANCE\_22001  
ELEGANCE\_22101

Note:

Items Attached	File Name	Scale at Au
	ELEGANCE.DWG	1:20
Date Drawn	April 2008	Job No.
Drawn By	NG	Revision:
		<b>A</b>