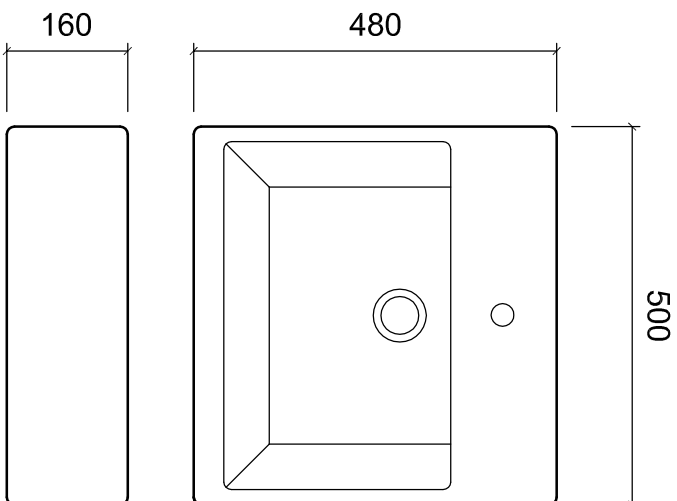


JOS

Code: 19301



CONTACT:

2 Enterprise Drive (off Corban Avenue),
Henderson,
Auckland,
NEW ZEALAND

Phone: 64 (9) 837-4276

Fax: 64 (9) 837-4325

Email: info@stmichel.co.nz

Website: www.stmichel.co.nz

Drawing Title

JOS_19301

Note

Notes Attached

File Name	Scale at A4
JOS.DWG	1:10
Date Drawn	Job No.
March, 2008	
Drawn By	Revision
NG	A