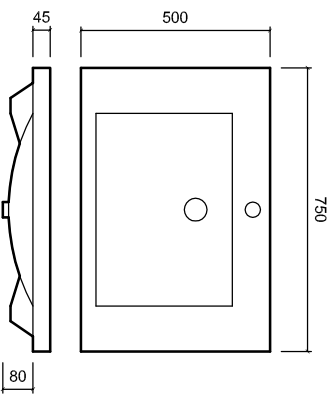
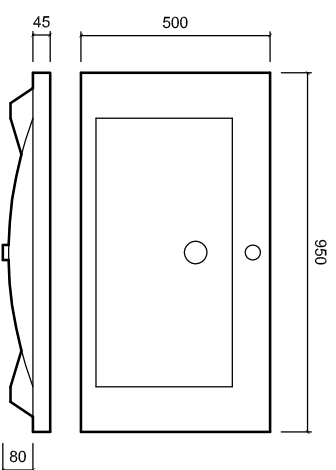


# KLOC

Code: 20001



Code: 20101



# KLOC DEEP

Code: 20301



Code: 20401



**Contact:**  
2 Enterprise Drive (off Corban Avenue),  
Henderson,  
Auckland,  
NEW ZEALAND

**Phone:** 64 (9) 837-4276  
**Fax:** 64 (9) 837-4325  
**Email:** info@st:michel.co.nz  
**Website:** www.st:michel.co.nz

**Drawing Title**

**Note**

KLOC\_20001  
KLOC\_20101  
KLOC\_DEEP\_20301  
KLOC\_DEEP\_20401

<b>Xrefs Attached</b>	<b>File Name:</b> KLOC_KLOC_DEEP.DWG	<b>Scale at Plot:</b> 1:20
	<b>Date Drawn:</b> April 2008	<b>Job No.</b>
	<b>Drawn By:</b> NG	<b>Revision:</b>
		<b>A</b>