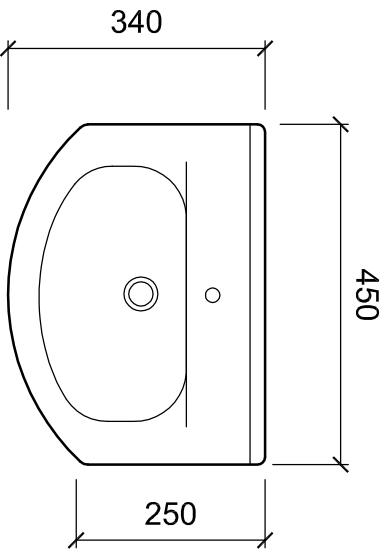


NEBO

Code: 22801



Contact:

2 Enterprise Drive (off Corban Avenue),
Henderson,
Auckland,
NEW ZEALAND

Phone: 64 (9) 837-4276

Fax: 64 (9) 837-4325

Email: info@stmichel.co.nz

Website: www.stmichel.co.nz

Drawing Title

NEBO_22801

Note

Xref's Attached:

File Name:	Scale at A4:
NEBO.DWG	1:10
Date Drawn:	Job No:
April 2008	
Drawn By:	Revision:
NS	A