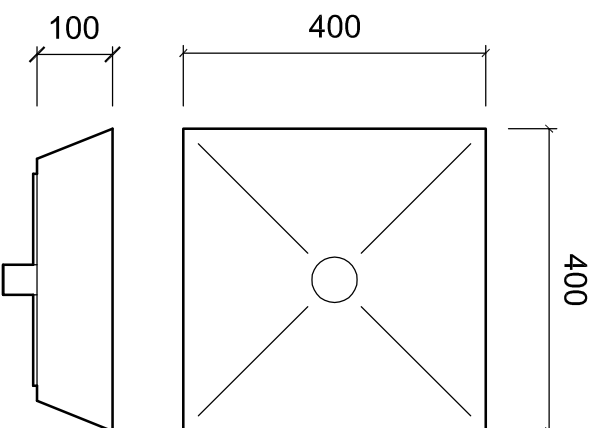


NEON

Code: 18901



Contact:

2 Enterprise Drive (off Corban Avenue),
Henderson,
Auckland,
NEW ZEALAND

Phone: 64 (9) 837-4276

Fax: 64 (9) 837-4325

Email: info@stmichel.co.nz

Website: www.stmichel.co.nz

Drawing Title

NEON_18901

Note:

Xrefs Attached:

File Name:	Scale at Plot:
NEON.DWG	1:10
Date Drawn:	Job No:
April 2008	
Drawn By:	Revision:
NS	A