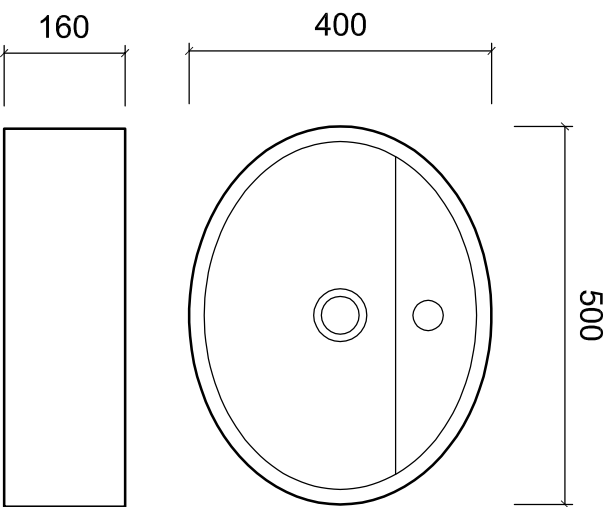


OUT

Code: 26201



Contact:

2 Enterprise Drive (off Corban Avenue),
Henderson,
Auckland,
NEW ZEALAND

Phone: 64 (9) 837-4276

Fax: 64 (9) 837-4325

Email: info@stmichel.co.nz

Website: www.stmichel.co.nz

Drawing Title

OUT_26201

Note:

Xref's Attached:

File Name: Scale at Au
OUT.DWG 1:10

Date Drawn: Job No.
April 2008

Drawn By: Revision
NS A