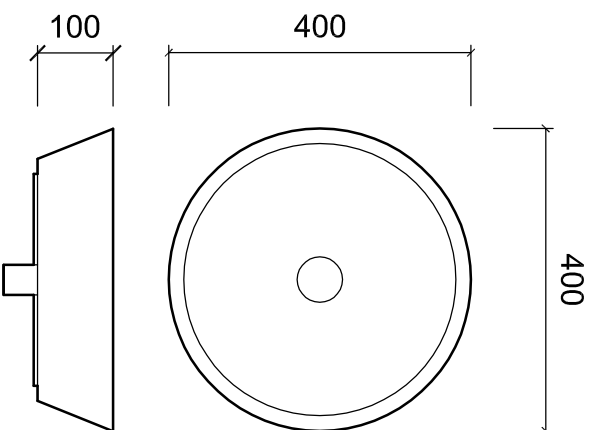


# TECNO

Code: 19201



**Contact:**

2 Enterprise Drive (off Corban Avenue),  
Henderson,  
Auckland,  
NEW ZEALAND

Phone: 64 (9) 837-4276

Fax: 64 (9) 837-4325

Email: [info@stmichel.co.nz](mailto:info@stmichel.co.nz)

Website: [www.stmichel.co.nz](http://www.stmichel.co.nz)

**Drawing Title**

**TECNO\_19201**

**Note:**

**Xref's Attached:**

| File Name:  | Scale at A4: |
|-------------|--------------|
| TECNO.DWG   | 1:10         |
| Date Drawn: | Job No:      |
| April 2008  |              |
| Drawn By:   | Revision:    |
| NS          | A            |