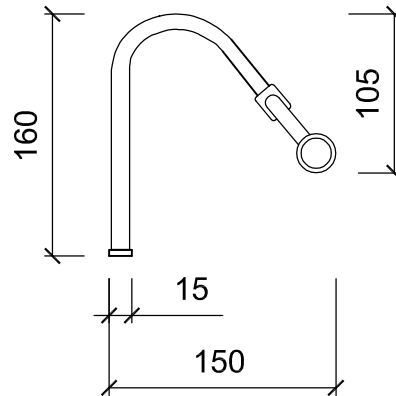
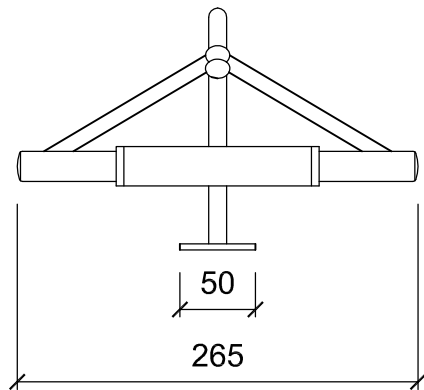


# ARIA MIRROR LIGHT



COMPANY

st.michel  
BATHROOMWARE

Contact:

2 Enterprise Drive (off Corban Avenue),  
Henderson,  
Auckland,  
NEW ZEALAND

Phone:

64 (9) 837-4276

Fax:

64 (9) 837-4325

Email:

info@stmichel.co.nz

Website:

www.stmichel.co.nz

Drawing Title:

ARIA\_MIRROR\_LIGHT

Note:

Xrefs Attached:	File Name:	Scale at A4:
	MIRRORS.DWG	1:5
	Date Drawn:	Job No:
	July 2008	
Drawn By:	Revision:	
NG	A	