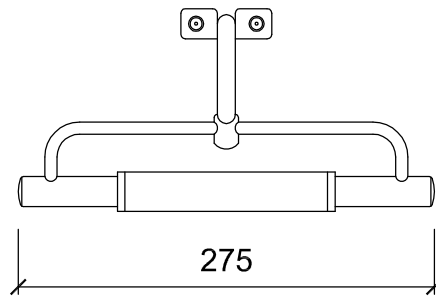
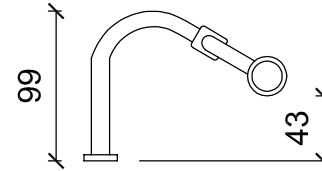
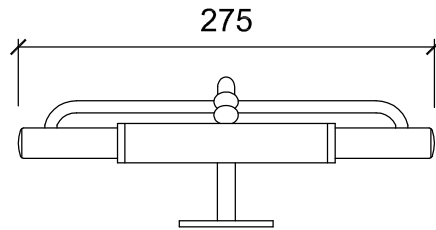
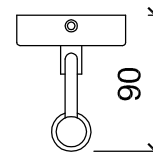
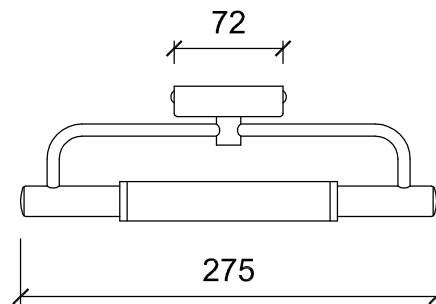


CAPRI



CAPRI UP



COMPANY

st.michel
BATHROOMWARE

Contact:

2 Enterprise Drive (off Corban Avenue),
Henderson,
Auckland,
NEW ZEALAND

Phone:

64 (9) 837-4276

Fax:

64 (9) 837-4325

Email:

info@stmichel.co.nz

Website:

www.stmichel.co.nz

Drawing Title:

CAPRI_MIRROR_LIGHT

Note:

Xrefs Attached:	File Name:	Scale at A4:
	MIRRORS.DWG	1:5
	Date Drawn:	Job No:
	July 2008	
	Drawn By:	Revision:
	NG	A