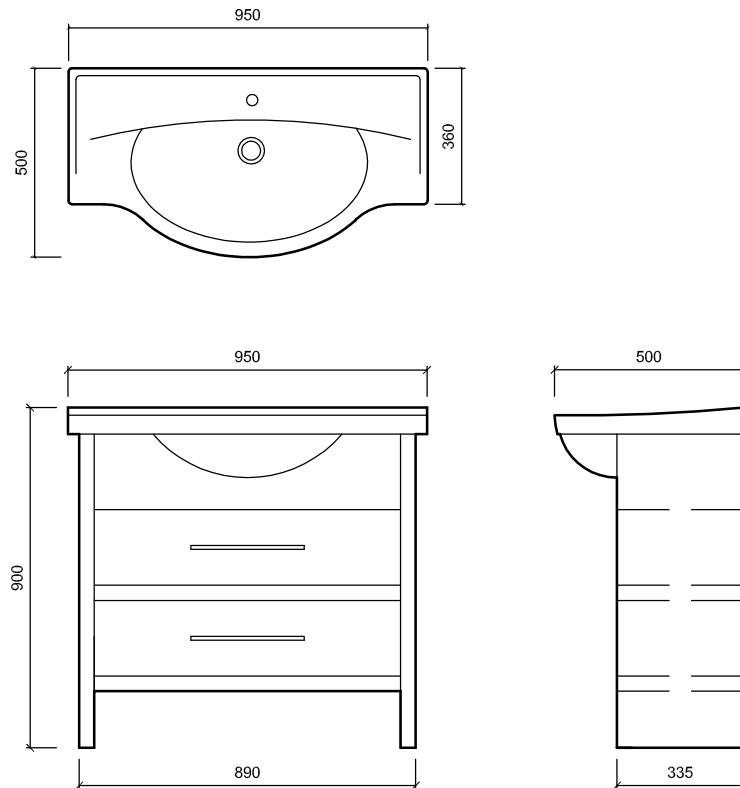


# ELLISE SEMI RECESSED 950



COMPANY

st.michel  
BATHROOMWARE

Contact:

2 Enterprise Drive (off Corban Avenue),  
Henderson,  
Auckland,  
NEW ZEALAND

Phone: 64 (9) 837-4276

Fax: 64 (9) 837-4325

Email: info@stmichel.co.nz

Website: www.stmichel.co.nz

Drawing Title:

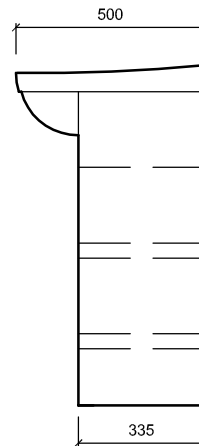
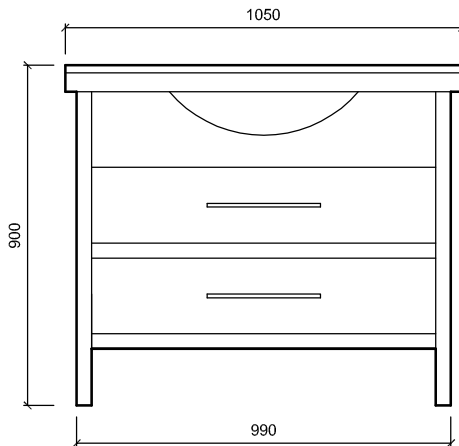
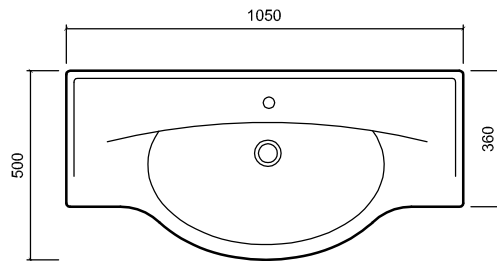
ELLISE\_SR\_950

Note:

Ellise Semi Recessed 950 with Hola Forma Basin.  
Toe Recess Panel available when bottom drawer is  
modified to allow a floor waste outlet to be used.

Xrefs Attached:	File Name:	Scale at A4:
	ELLISE SEMI RECESSED.DWG	1:20
	Date Drawn:	Job No:
	April 2008	
	Drawn By:	Revision:
	NG	A

# ELLISE SEMI RECESSED 1050



COMPANY

st.michel  
BATHROOMWARE

Contact:

2 Enterprise Drive (off Corban Avenue),  
Henderson,  
Auckland,  
NEW ZEALAND

Phone: 64 (9) 837-4276

Fax: 64 (9) 837-4325

Email: info@stmichel.co.nz

Website: www.stmichel.co.nz

Drawing Title:

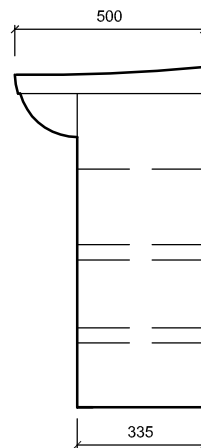
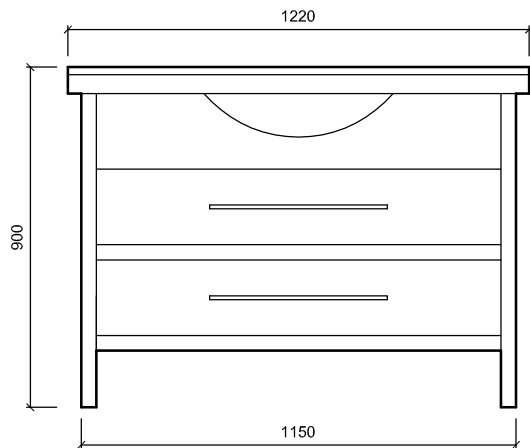
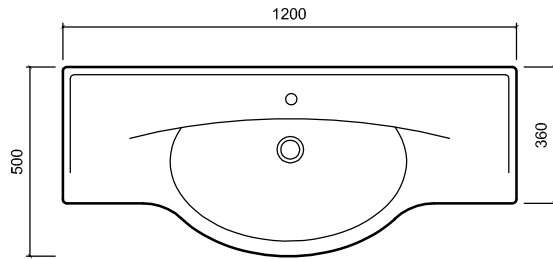
ELLISE\_SR\_1050

Note:

Ellise Semi Recessed 1050 with Hola Forma Basin.  
Toe Recess Panel available when bottom drawer is  
modified to allow a floor waste outlet to be used.

Xrefs Attached:	File Name:	Scale at A4:
	ELLISE SEMI RECESSED.DWG	1:20
Date Drawn:	Job No:	
April 2008		
Drawn By:	Revision:	
NG	A	

# ELLISE SEMI RECESSED 1200



COMPANY

st.michel  
BATHROOMWARE

Contact:

2 Enterprise Drive (off Corban Avenue),  
Henderson,  
Auckland,  
NEW ZEALAND

Phone: 64 (9) 837-4276

Fax: 64 (9) 837-4325

Email: [Info@stmichel.co.nz](mailto:Info@stmichel.co.nz)

Website: [www.stmichel.co.nz](http://www.stmichel.co.nz)

Drawing Title:

ELLISE\_SR\_1200

Note:

Ellise Semi Recessed 1200 with Hola Forma Basin.  
Toe Recess Panel available when bottom drawer is  
modified to allow a floor waste outlet to be used.

Xrefs Attached:	File Name:	Scale at A4:
	ELLISE SEMI RECESSED.DWG	1:20
	Date Drawn:	Job No:
	April 2008	
	Drawn By:	Revision:
	NG	A