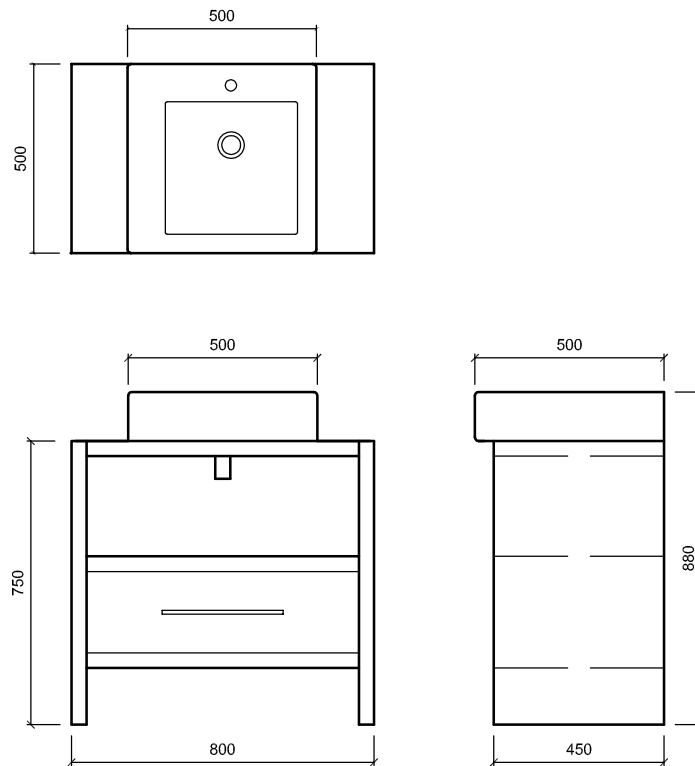


## ELLISE VESSEL BASINS 800



COMPANY

st.michel  
BATHROOMWARE

Contact:

2 Enterprise Drive (off Corban Avenue),  
Henderson,  
Auckland,  
NEW ZEALAND

Phone: 64 (9) 837-4276

Fax: 64 (9) 837-4325

Email: info@stmichel.co.nz

Website: www.stmichel.co.nz

Drawing Title:

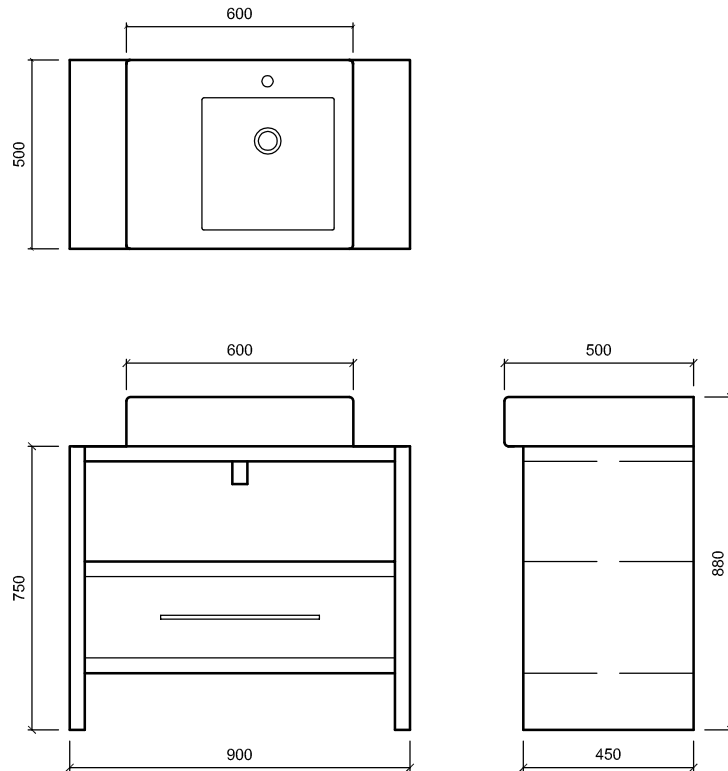
ELLISE\_VB\_800

Note:

Ellise Vessel Basin 800 with Jazz Basin  
Toe Recess Panel (not suitable floor waste)

Xrefs Attached:	File Name:	Scale at A4:
	ELLISE VESSEL BASIN.DWG	1:20
	Date Drawn:	Job No:
	April 2008	
Drawn By:	Revision:	
NG	A	

## ELLISE VESSEL BASINS 900



COMPANY

st.michel  
BATHROOMWARE

Contact:

2 Enterprise Drive (off Corban Avenue),  
Henderson,  
Auckland,  
NEW ZEALAND

Phone: 64 (9) 837-4276

Fax: 64 (9) 837-4325

Email: info@stmichel.co.nz

Website: www.stmichel.co.nz

Drawing Title:

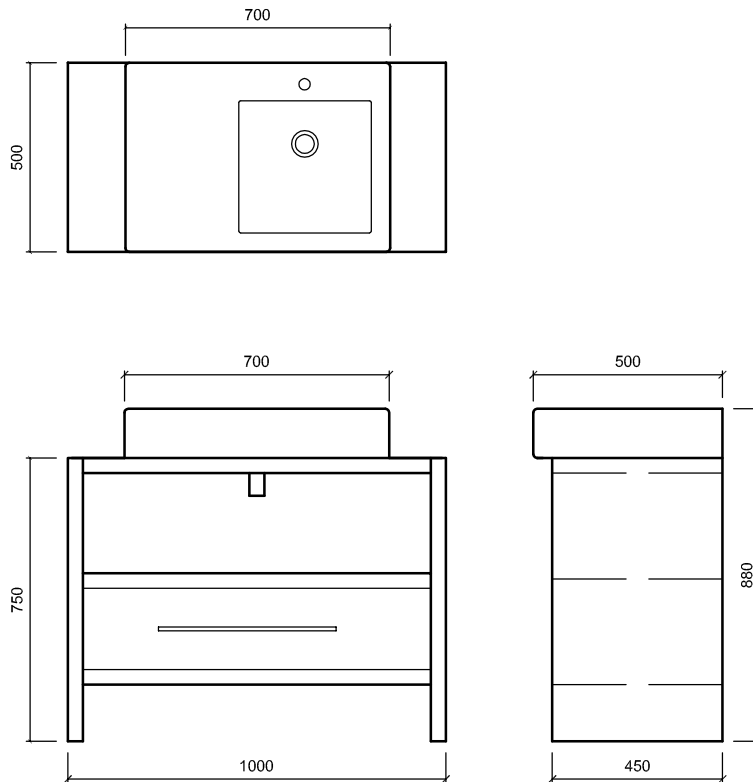
ELLISE\_VB\_900

Note:

Ellise Vessel Basin 900 with Kato Basin  
Toe Recess Panel (not suitable floor waste)

Xrefs Attached:	File Name:	Scale at A4:
	ELLISE VESSEL BASIN.DWG	1:20
Date Drawn:	Job No:	
April 2008		
Drawn By:	Revision:	
NG		A

## ELLISE VESSEL BASINS 1000



COMPANY

st.michel  
BATHROOMWARE

Contact:

2 Enterprise Drive (off Corban Avenue),  
Henderson,  
Auckland,  
NEW ZEALAND

Phone: 64 (9) 837-4276

Fax: 64 (9) 837-4325

Email: [Info@stmichel.co.nz](mailto:Info@stmichel.co.nz)

Website: [www.stmichel.co.nz](http://www.stmichel.co.nz)

Drawing Title:

ELLISE\_VB\_1000

Note:  
Ellise Vessel Basin 1000 with Nako Basin  
Toe Recess Panel (not suitable floor waste)

Xrefs Attached:	File Name:	Scale at A4:
	ELLISE VESSEL BASIN.DWG	1:20
	Date Drawn:	Job No:
	April 2008	
	Drawn By:	Revision:
	NG	A