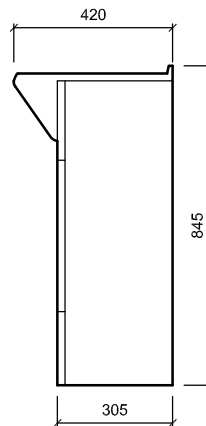
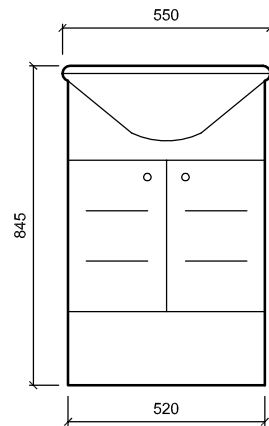
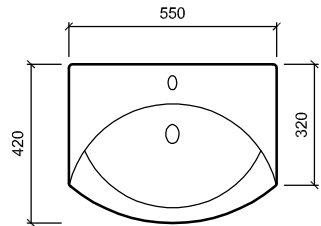


JAZZ FLOOR 550



COMPANY

st.michel
BATHROOMWARE

Contact:

2 Enterprise Drive (off Corban Avenue),
Henderson,
Auckland,
NEW ZEALAND

Phone: 64 (9) 837-4276

Fax: 64 (9) 837-4325

Email: info@stmichel.co.nz

Website: www.stmichel.co.nz

Drawing Title:

JAZZ_FLOOR_550

Note:

Jazz Floor 550 with Zeus Basin
White and White/Woodgrain available

Xrefs Attached:

File Name:

JAZZ.DWG

Scale at A4:

1:20

Date Drawn:

June 2008

Job No:

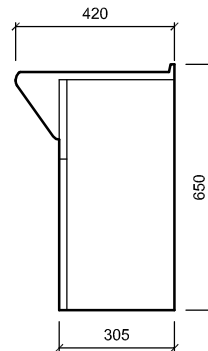
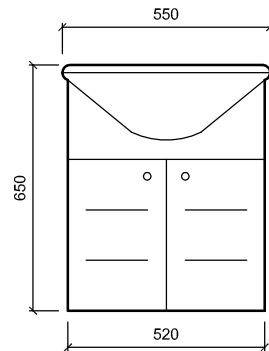
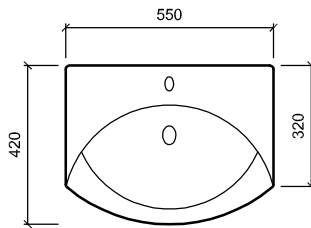
Drawn By:

NG

Revision:

A

JAZZ WALL 550



COMPANY

st.michel
BATHROOMWARE

Contact:

2 Enterprise Drive (off Corban Avenue),
Henderson,
Auckland,
NEW ZEALAND

Phone: 64 (9) 837-4276

Fax: 64 (9) 837-4325

Email: Info@stmichel.co.nz

Website: www.stmichel.co.nz

Drawing Title:

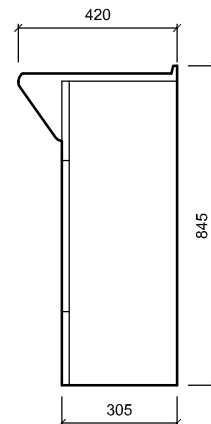
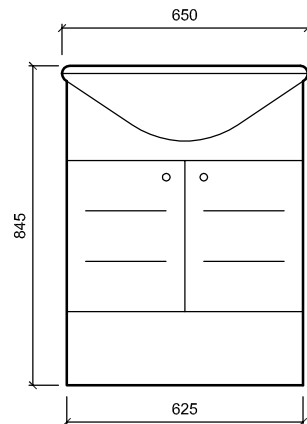
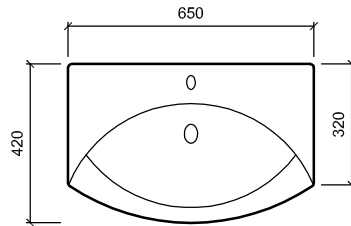
JAZZ_WALL_550

Note:

Jazz Wall 550 with Zeus Basin
White and White/Woodgrain available

Xrefs Attached:	File Name:	Scale at A4:
	JAZZ.DWG	1:20
	Date Drawn:	Job No:
	June 2008	
Drawn By:	Revision:	
NG	A	

JAZZ FLOOR 650



COMPANY

st.michel
BATHROOMWARE

Contact:

2 Enterprise Drive (off Corban Avenue),
Henderson,
Auckland,
NEW ZEALAND

Phone: 64 (9) 837-4276

Fax: 64 (9) 837-4325

Email: info@stmichel.co.nz

Website: www.stmichel.co.nz

Drawing Title:

JAZZ_FLOOR_650

Note:

Jazz Floor 650 with Zeus Basin
White and White/Woodgrain available

Xrefs Attached:

File Name:

JAZZ.DWG

Scale at A4:

1:20

Date Drawn:

June 2008

Job No:

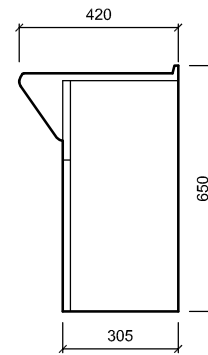
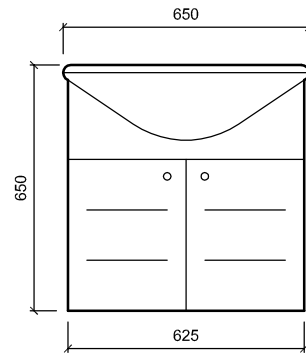
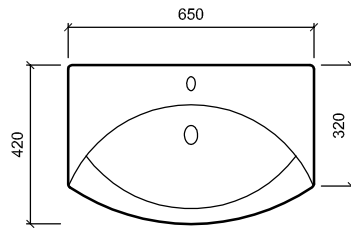
Drawn By:

NG

Revision:

A

JAZZ WALL 650



COMPANY

st.michel
BATHROOMWARE

Contact:

2 Enterprise Drive (off Corban Avenue),
Henderson,
Auckland,
NEW ZEALAND

Phone: 64 (9) 837-4276

Fax: 64 (9) 837-4325

Email: Info@stmichel.co.nz

Website: www.stmichel.co.nz

Drawing Title:

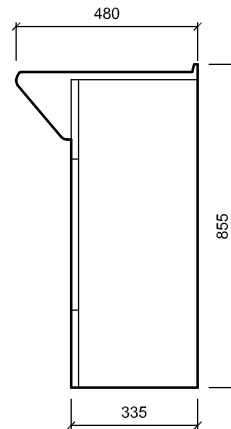
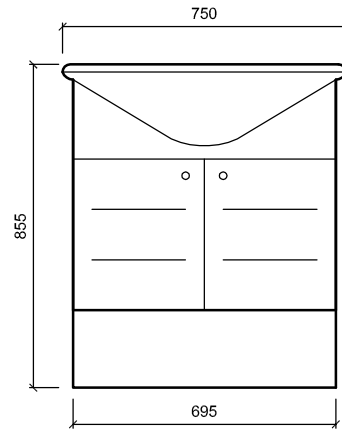
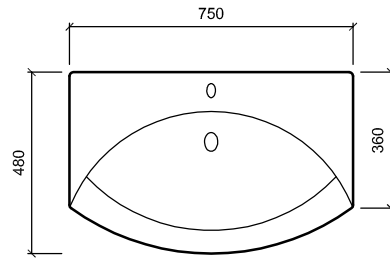
JAZZ_WALL_650

Note:

Jazz Wall 650 with Zeus Basin
White and White/Woodgrain available

Xrefs Attached:	File Name:	Scale at A4:
	JAZZ.DWG	1:20
	Date Drawn:	Job No:
	June 2008	
Drawn By:	Revision:	
NG		A

JAZZ FLOOR 750



COMPANY

st.michel
BATHROOMWARE

Contact:

2 Enterprise Drive (off Corban Avenue),
Henderson,
Auckland,
NEW ZEALAND

Phone:

64 (9) 837-4276

Fax:

64 (9) 837-4325

Email:

info@stmichel.co.nz

Website:

www.stmichel.co.nz

Drawing Title:

JAZZ_FLOOR_750

Note:

Jazz Floor 750 with Zeus Basin
White and White/Woodgrain available

Xrefs Attached:

File Name:

JAZZ.DWG

Scale at A4:

1:20

Date Drawn:

June 2008

Job No:

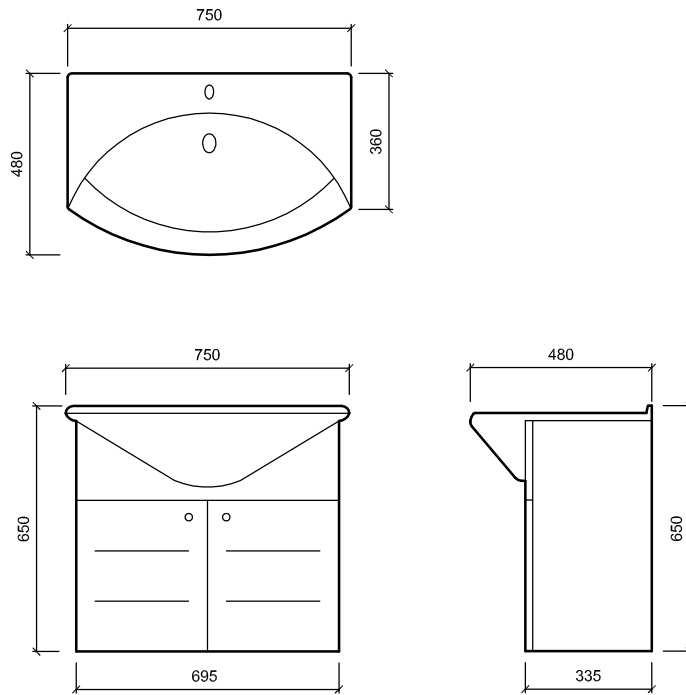
Drawn By:

NG

Revision:

A

JAZZ WALL 750



COMPANY

st. michel
BATHROOMWARE

Contact:

2 Enterprise Drive (off Corban Avenue),
Henderson,
Auckland,
NEW ZEALAND

Phone: 64 (9) 837-4276

Fax: 64 (9) 837-4325

Email: info@stmichel.co.nz

Website: www.stmichel.co.nz

Drawing Title:

JAZZ_WALL_750

Note:

Jazz Wall 750 with Zeus Basin
White and White/Woodgrain available

Xrefs Attached:

File Name:
JAZZ.DWG

Scale of A4:
1:20

Date Drawn:
June 2008

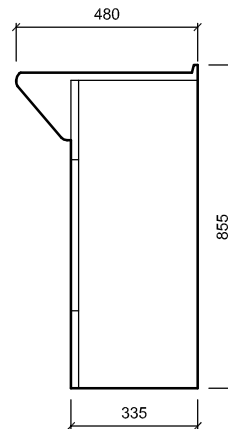
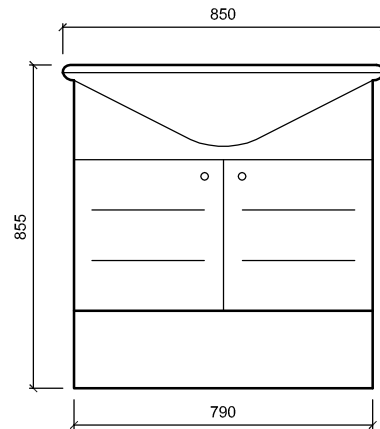
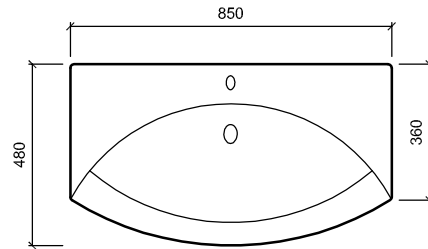
Job No:

Drawn By:
NG

Revision:

A

JAZZ FLOOR 850



COMPANY

st.michel
BATHROOMWARE

Contact:

2 Enterprise Drive (off Corban Avenue),
Henderson,
Auckland,
NEW ZEALAND

Phone: 64 (9) 837-4276

Fax: 64 (9) 837-4325

Email: info@stmichel.co.nz

Website: www.stmichel.co.nz

Drawing Title:

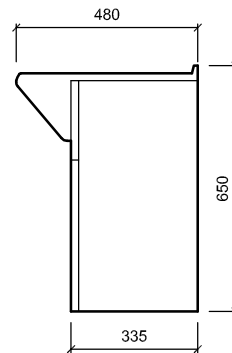
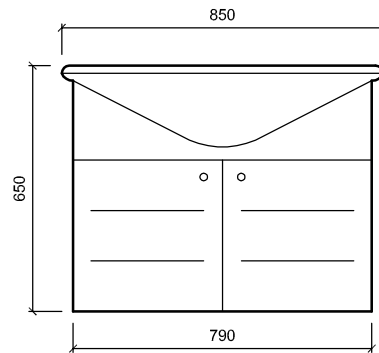
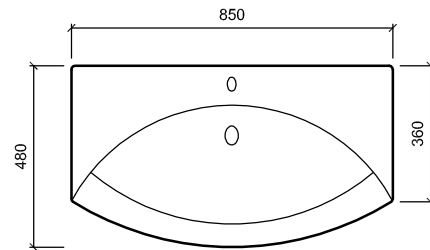
JAZZ_FLOOR_850

Note:

Jazz Floor 850 with Zeus Basin
White and White/Woodgrain available

Xrefs Attached:	File Name:	Scale at A4:
	JAZZ.DWG	1:20
	Date Drawn:	Job No:
	June 2008	
Drawn By:	Revision:	
NG	A	

JAZZ WALL 850



COMPANY

st.michel
BATHROOMWARE

Contact:

2 Enterprise Drive (off Corban Avenue),
Henderson,
Auckland,
NEW ZEALAND

Phone: 64 (9) 837-4276

Fax: 64 (9) 837-4325

Email: Info@stmichel.co.nz

Website: www.stmichel.co.nz

Drawing Title:

JAZZ_WALL_850

Note:

Jazz Wall 850 with Zeus Basin
White and White/Woodgrain available

Xrefs Attached:

File Name:
JAZZ.DWG

Scale at A4:
1:20

Date Drawn:
June 2008

Job No:

Drawn By:
NG

Revision:

A