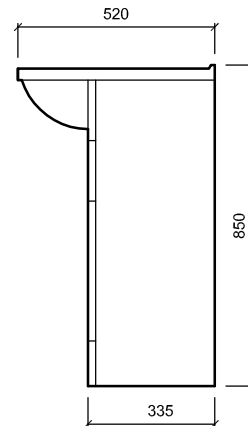
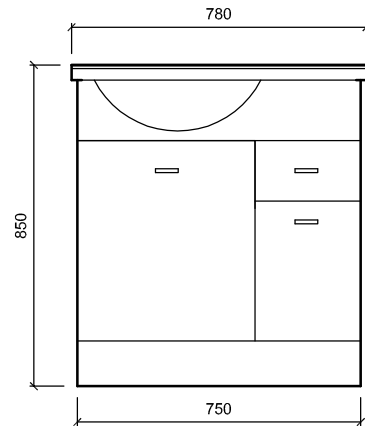
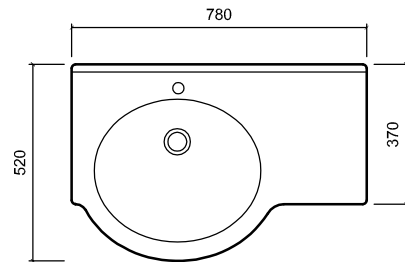


LEROS FLOOR LEFT HAND_780
DOUBLE DOOR SINGLE DRAWER



COMPANY

st.michel
BATHROOMWARE

Contact:

2 Enterprise Drive (off Corban Avenue),
Henderson,
Auckland,
NEW ZEALAND

Phone: 64 (9) 837-4276

Fax: 64 (9) 837-4325

Email: info@stmichel.co.nz

Website: www.stmichel.co.nz

Drawing Title:

LEROS_LH_780
FLOOR_2D1DR

Note:

Leros Left-hand Floor with Leros Basin.

Xrefs Attached:

File Name:
CORNERS.DWG

Scale at A4:
1:20

Date Drawn:
June 2008

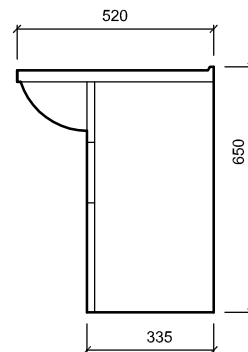
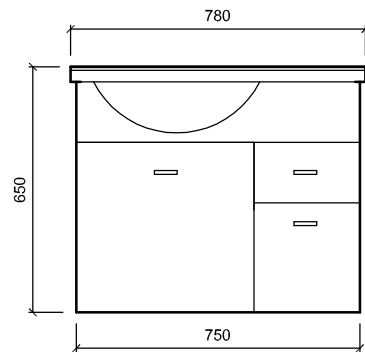
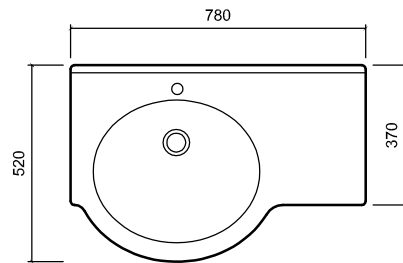
Job No:

Drawn By:
NG

Revision:

A

LEROS WALL LEFT HAND_780
DOUBLE DOOR SINGLE DRAWER



COMPANY

st.michel
BATHROOMWARE

Contact:

2 Enterprise Drive (off Corban Avenue),
Henderson,
Auckland,
NEW ZEALAND

Phone: 64 (9) 837-4276

Fax: 64 (9) 837-4325

Email: info@stmichel.co.nz

Website: www.stmichel.co.nz

Drawing Title:

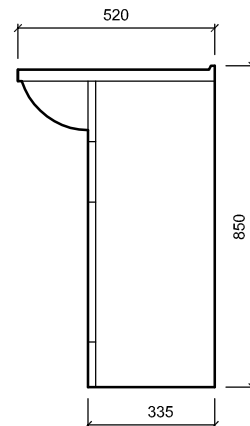
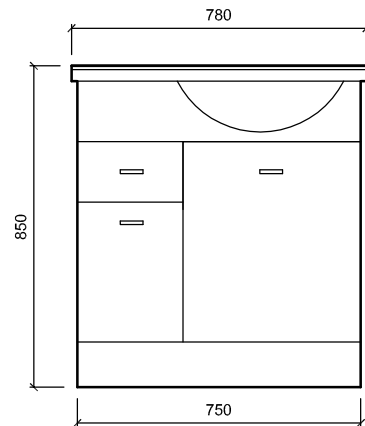
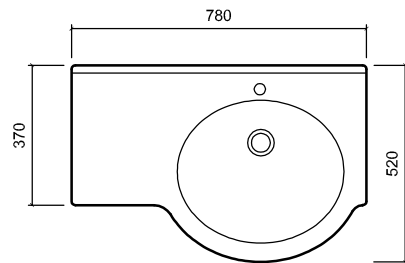
LEROS LH 780
WALL_2D1DR

Note:

Leros Left-hand Wall with Leros Basin.

Xrefs Attached:	File Name:	Scale at AA:
	CORNERS.DWG	1:20
	Date Drawn:	Job No:
	June 2008	
Drawn By:	Revision:	
NG		A

LEROS FLOOR RIGHT HAND_780 DOUBLE DOOR SINGLE DRAWER



COMPANY

st.michel
BATHROOMWARE

Contact:

2 Enterprise Drive (off Corban Avenue),
Henderson,
Auckland,
NEW ZEALAND

Phone: 64 (9) 837-4276

Fax: 64 (9) 837-4325

Email: info@stmichel.co.nz

Website: www.stmichel.co.nz

Drawing Title:

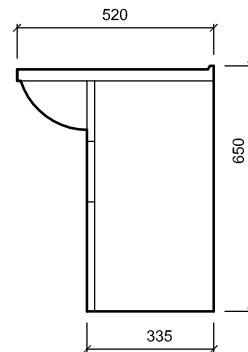
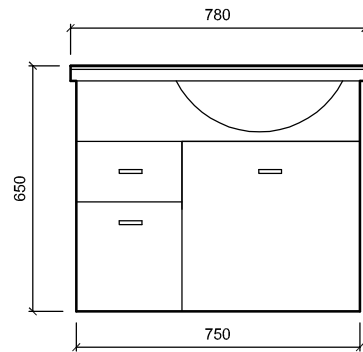
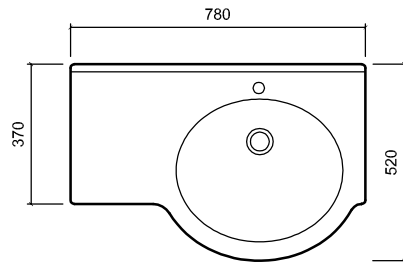
LEROS_RH_780
FLOOR_2D1DR

Note:

Leros Right-hand Floor with Leros Basin.

Xrefs Attached:	File Name:	Scale at A4:
	CORNERS.DWG	1:20
	Date Drawn:	Job No:
	June 2008	
Drawn By:	Revision:	
NG		A

LEROS WALL RIGHT HAND_780 DOUBLE DOOR SINGLE DRAWER



COMPANY

st.michel
BATHROOMWARE

Contact:

2 Enterprise Drive (off Corban Avenue),
Henderson,
Auckland,
NEW ZEALAND

Phone: 64 (9) 837-4276

Fax: 64 (9) 837-4325

Email: info@stmichel.co.nz

Website: www.stmichel.co.nz

Drawing Title:

LEROS_RH_780
WALL_2D1DR

Note:

Leros Right-hand Wall with Leros Basin.

Xrefs Attached:	File Name:	Scale at A4:
	CORNERS.DWG	1:20
	Date Drawn:	Job No:
	June 2008	
Drawn By:	Revision:	
NG	A	