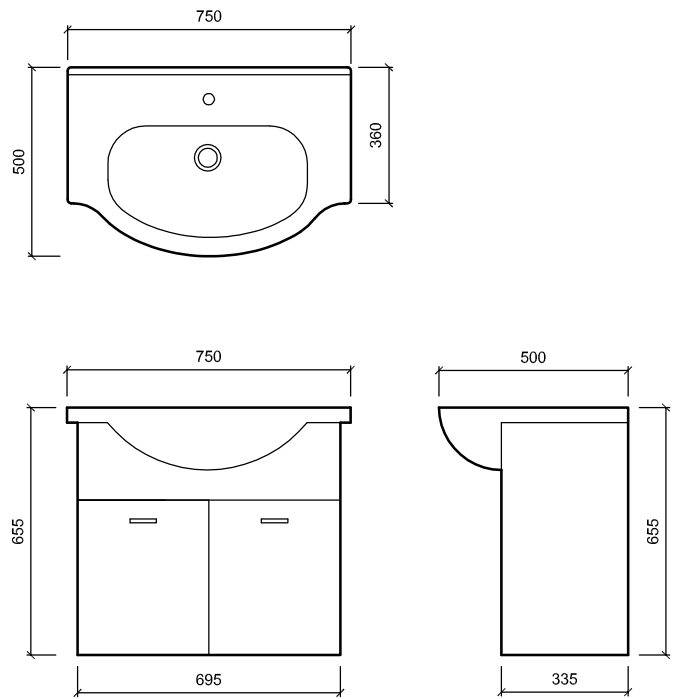


# SAVANT WALL 750



COMPANY



Contact:  
 2 Enterprise Drive (off Corban Avenue),  
 Henderson,  
 Auckland,  
 NEW ZEALAND

Phone: 64 (9) 837-4276

Fax: 64 (9) 837-4325

Email: info@stmichel.co.nz

Website: www.stmichel.co.nz

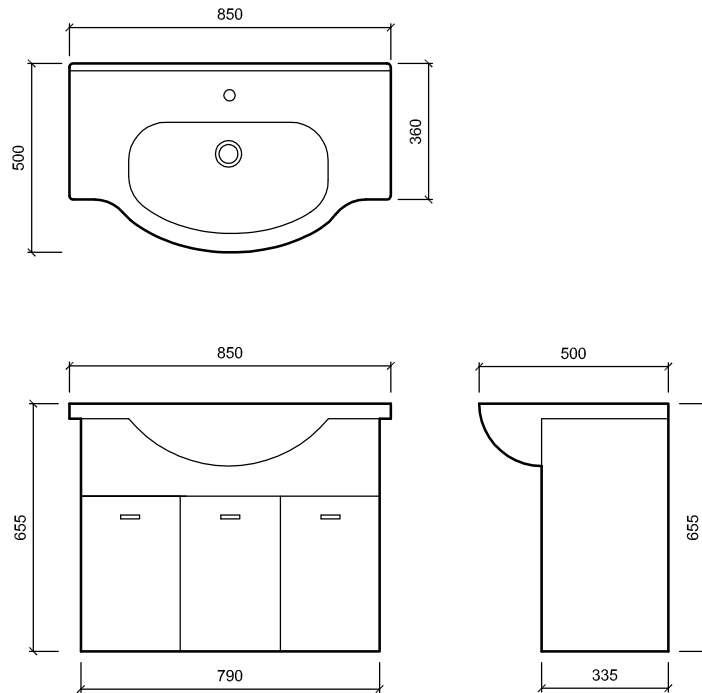
Drawing Title:

## SAVANT\_WALL\_750

Note:  
 Savant Basin also available with zeus, hola forma,  
 domus, piani (standard)

Xrefs Attached:	File Name:	SAVANT.DWG	Scale of A4:	1:20
	Date Drawn:	June 2008	Job No:	
	Drawn By:	NG	Revision:	A

# SAVANT WALL 850



COMPANY

st.michel  
BATHROOMWARE

Contact:

2 Enterprise Drive (off Corban Avenue),  
Henderson,  
Auckland,  
NEW ZEALAND

Phone: 64 (9) 837-4276

Fax: 64 (9) 837-4325

Email: info@stmichel.co.nz

Website: www.stmichel.co.nz

Drawing Title:

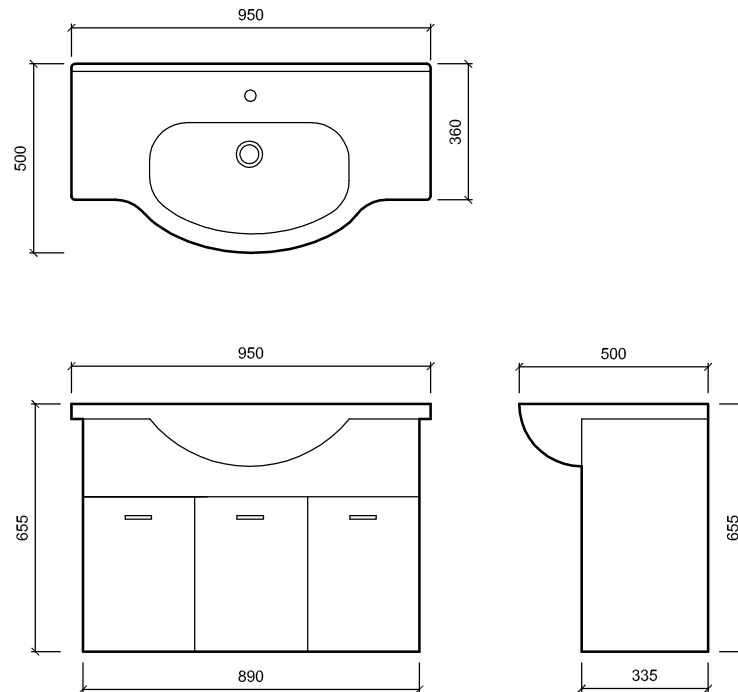
SAVANT\_WALL\_850

Note:

Savant Basin also available with zeus, hola forma,  
domus, piani (standard)

Xrefs Attached:	File Name:	SAVANT.DWG	Scale at A4:	1:20
	Date Drawn:	June 2008	Job No:	
	Drawn By:	NG	Revision:	A

## SAVANT WALL 950



COMPANY

st.michel  
BATHROOMWARE

Contact:

2 Enterprise Drive (off Corban Avenue),  
Henderson,  
Auckland,  
NEW ZEALAND

Phone: 64 (9) 837-4276

Fax: 64 (9) 837-4325

Email: [info@stmichel.co.nz](mailto:info@stmichel.co.nz)

Website: [www.stmichel.co.nz](http://www.stmichel.co.nz)

Drawing Title:

SAVANT\_WALL\_950

Note:

Savant Basin also available with zeus, hola forma,  
domus, piani (standard)

Xrefs Attached:

File Name:  
SAVANT.DWG

Scale at A4:  
1:20

Date Drawn:  
June 2008

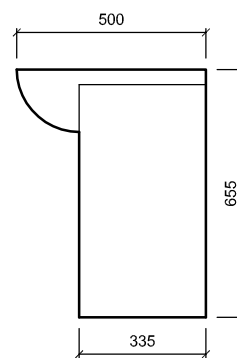
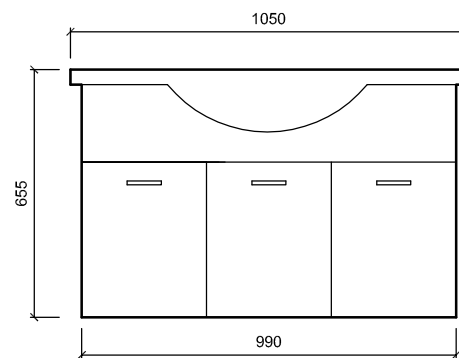
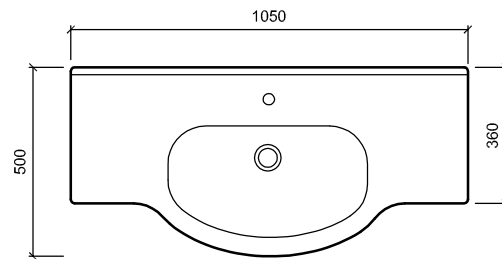
Job No:

Drawn By:  
NG

Revision:

A

# SAVANT WALL 1050



COMPANY

st.michel  
BATHROOMWARE

Contact:

2 Enterprise Drive (off Corban Avenue),  
Henderson,  
Auckland,  
NEW ZEALAND

Phone: 64 (9) 837-4276

Fax: 64 (9) 837-4325

Email: info@stmichel.co.nz

Website: www.stmichel.co.nz

Drawing Title:

SAVANT\_WALL\_1050

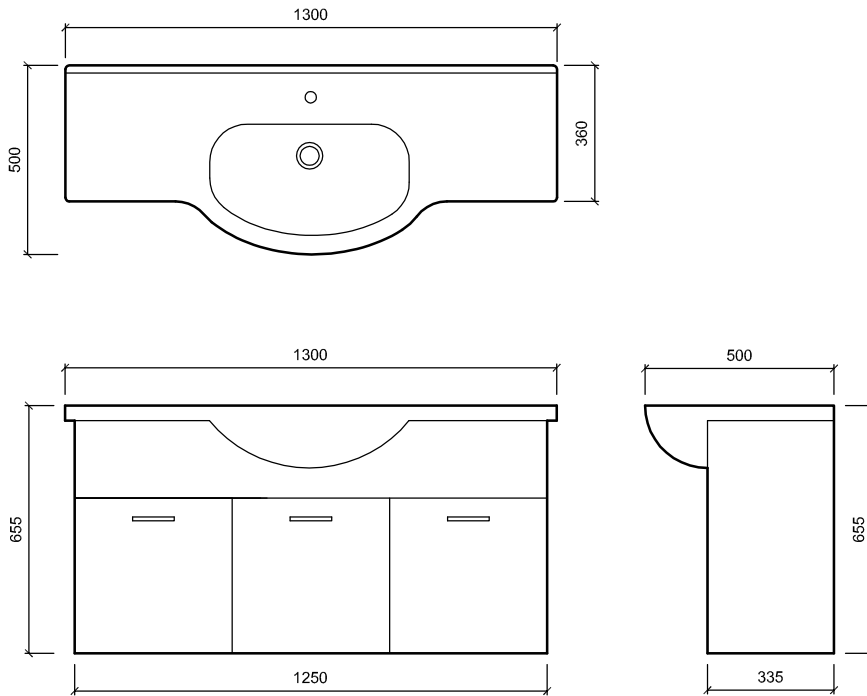
Note:

Savant Basin also available with zeus, hola forma,  
domus, piani (standard)

Xrefs Attached:

File Name:	SAVANT.DWG	Scale at A4:	1:20
Date Drawn:	June 2008	Job No:	
Drawn By:	NG	Revision:	A

# SAVANT WALL 1300



COMPANY

st.michel  
BATHROOMWARE

Contact:

2 Enterprise Drive (off Corban Avenue),  
Henderson,  
Auckland,  
NEW ZEALAND

Phone:

64 (9) 837-4276

Fax:

64 (9) 837-4325

Email:

info@stmichel.co.nz

Website:

www.stmichel.co.nz

Drawing Title:

SAVANT\_WALL\_1300

Note:

Savant Basin also available with zeus, hola forma,  
domus, piani (standard)

Xrefs Attached:

File Name:

SAVANT.DWG

Scale of A4:

1:20

Date Drawn:

June 2008

Job No:

Drawn By:

NG

Revision:

A