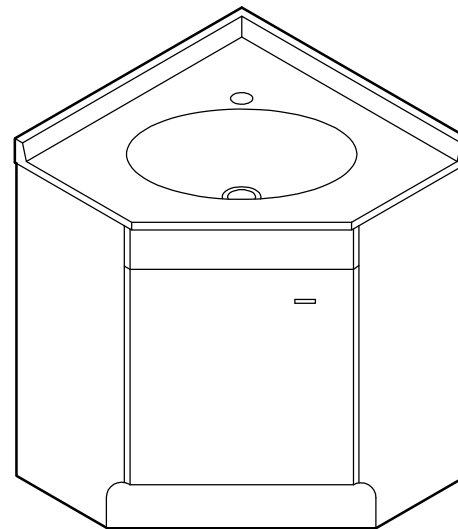
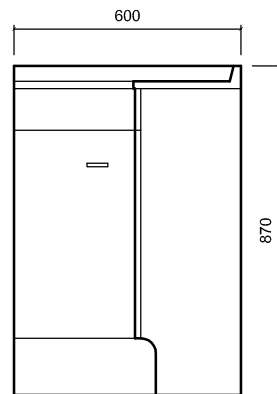
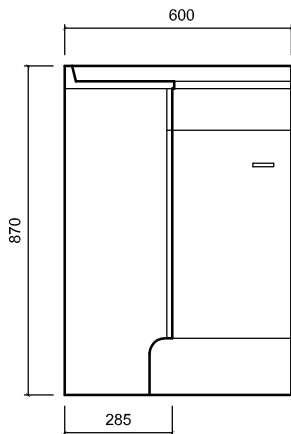
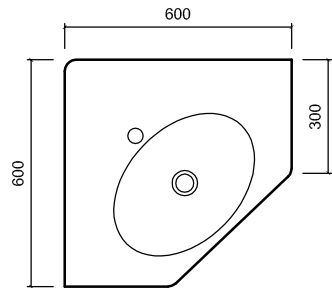


STELLA CORNER FLOOR_600x600 SINGLE DOOR



COMPANY

st.michel
BATHROOMWARE

Contact:

2 Enterprise Drive (off Corban Avenue),
Henderson,
Auckland,
NEW ZEALAND

Phone: 64 (9) 837-4276

Fax: 64 (9) 837-4325

Email: Info@stmichel.co.nz

Website: www.stmichel.co.nz

Drawing Title:

STELLA_CORNER_600X600
FLOOR_1D

Note:

Stella Corner 600x600 with Corner Integra Basin.
High Glass Corners refer Cosmo Range (floor only).

Xrefs Attached

File Name:
CORNERS.DWG

Scale at A4:
1:20

Date Drawn:
June 2008

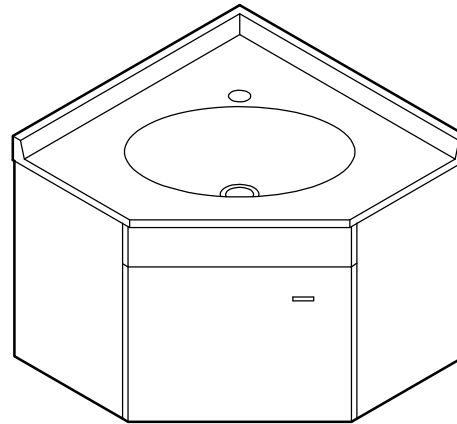
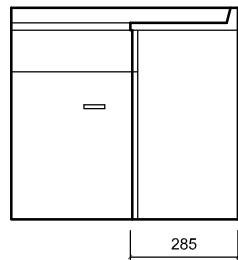
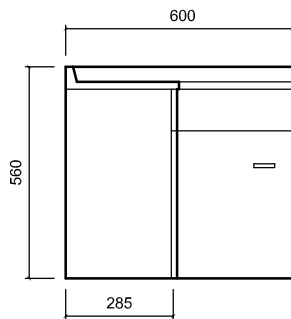
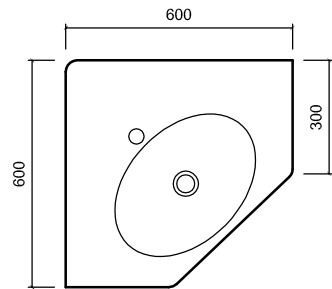
Job No:

Drawn By:
NG

Revision:

A

STELLA CORNER WALL_600x600 SINGLE DOOR



COMPANY

st.michel
BATHROOMWARE

Contact:

2 Enterprise Drive (off Corban Avenue),
Henderson,
Auckland,
NEW ZEALAND

Phone:

64 (9) 837-4276

Fax:

64 (9) 837-4325

Email:

Info@stmichel.co.nz

Website:

www.stmichel.co.nz

Drawing Title:

STELLA_CORNER_600X600
WALL_1D

Note:

Stella Corner Wall 600x600 with Corner Integra Basin.
High Glass Corners refer Cosmo Range (floor only).

Xrefs Attached:

File Name:

CORNERS.DWG

Scale at A4:

1:20

Date Drawn:

June 2008

Job No:

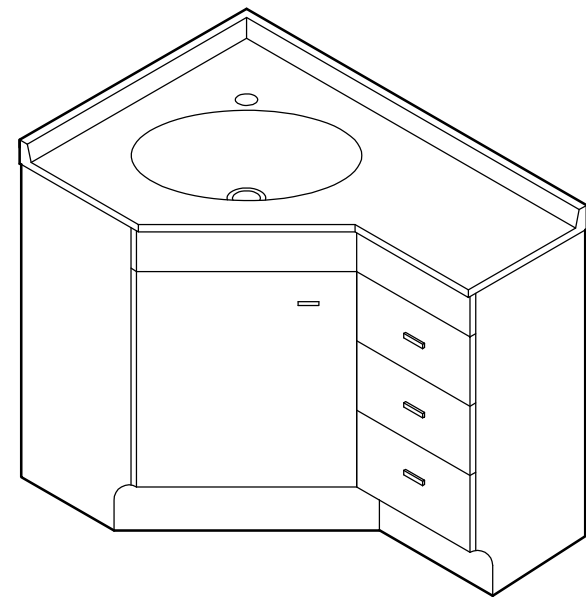
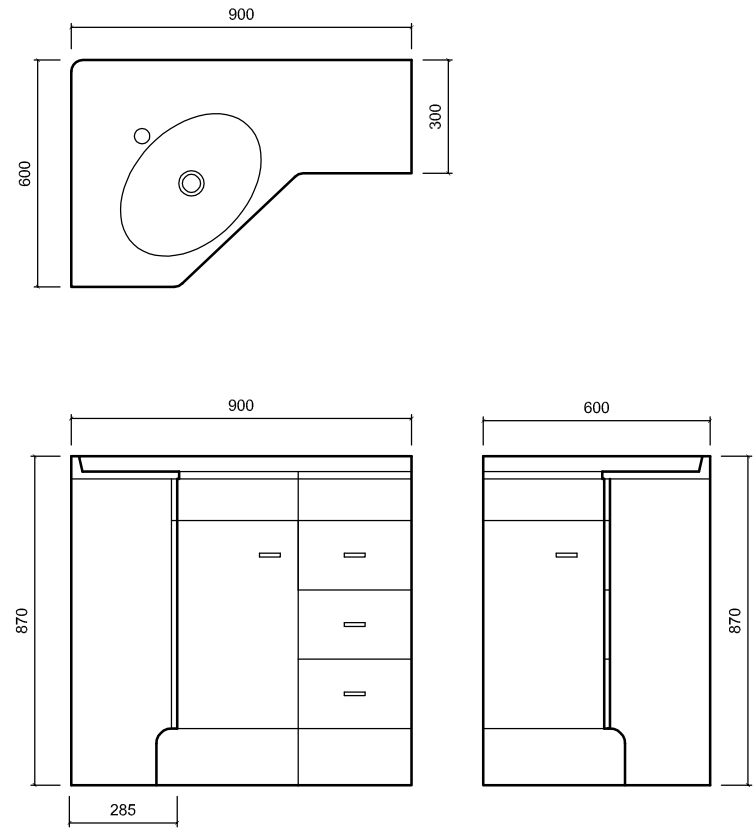
Drawn By:

NG

Revision:

A

STELLA CORNER FLOOR_600x900
SINGLE DOOR THREE DRAWERS



COMPANY



Contact:
2 Enterprise Drive (off Corban Avenue),
Henderson,
Auckland,
NEW ZEALAND

Phone: 64 (9) 837-4276

Fax: 64 (9) 837-4325

Email: info@stmichel.co.nz

Website: www.stmichel.co.nz

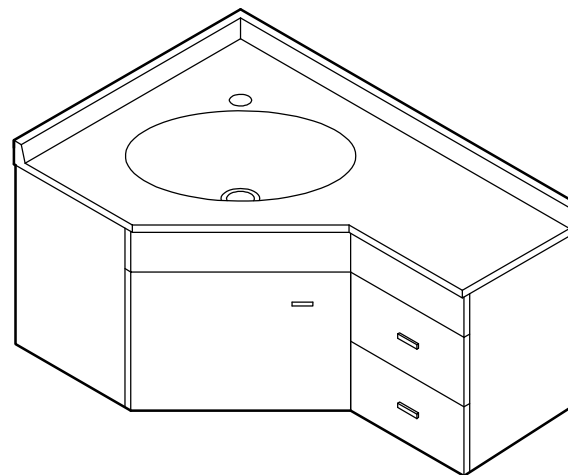
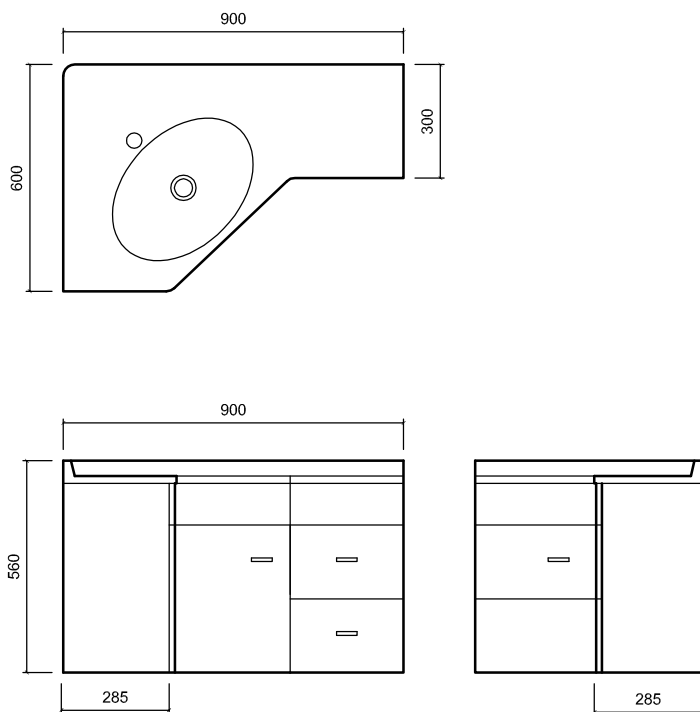
Drawing Title:

STELLA_CORNER_600X900
FLOOR_1D3DR

Note:
Stella Corner 600x900 with Corner Integra Basin.
High Glass Corners refer Cosmo Range (floor only).

Xref's Attached:	File Name:	Scale at A4:
	CORNERS.DWG	1:20
	Date Drawn:	Job No:
	June 2008	
Drawn By:	Revision:	
NG	A	

STELLA CORNER WALL_600x900 SINGLE DOOR TWO DRAWERS



COMPANY

st.michel
BATHROOMWARE

Contact:

2 Enterprise Drive (off Corban Avenue),
Henderson,
Auckland,
NEW ZEALAND

Phone:

64 (9) 837-4276

Fax:

64 (9) 837-4325

Email:

info@stmichel.co.nz

Website:

www.stmichel.co.nz

Drawing Title:

STELLA_CORNER_600X900
WALL_1D3DR

Note:

Stella Corner Wall 600x900 with Corner Integra Basin.
High Glass Corners refer Cosmo Range (floor only).

Xrefs Attached:

File Name:

STELLA_C_SR_F.DWG

Scale at A4:

1:20

Date Drawn:

June 2008

Job No:

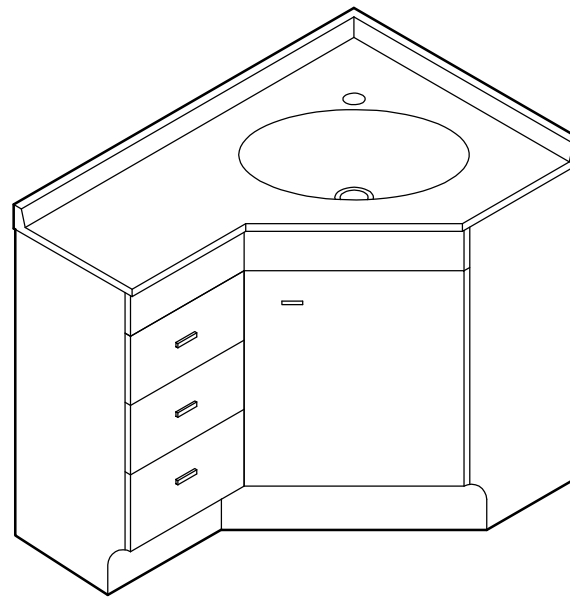
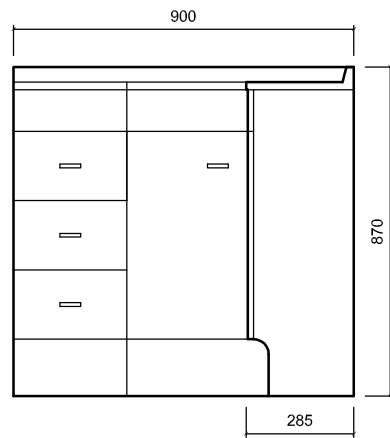
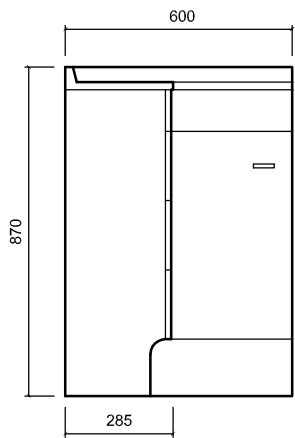
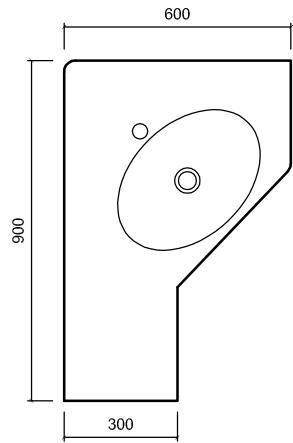
Drawn By:

NG

Revision:

A

STELLA CORNER FLOOR_900x600 SINGLE DOOR THREE DRAWERS



COMPANY

st.michel
BATHROOMWARE

Contact:

2 Enterprise Drive (off Corban Avenue),
Henderson,
Auckland,
NEW ZEALAND

Phone: 64 (9) 837-4276

Fax: 64 (9) 837-4325

Email: info@stmichel.co.nz

Website: www.stmichel.co.nz

Drawing Title:

STELLA_CORNER_900X600
FLOOR_1D3DR

Note:

Stella Corner 900x600 with Corner Integra Basin.
High Glass Corners refer Cosmo Range (floor only).

Xref's Attached:

File Name:
CORNERS.DWG

Scale at A4:
1:20

Date Drawn:
June 2008

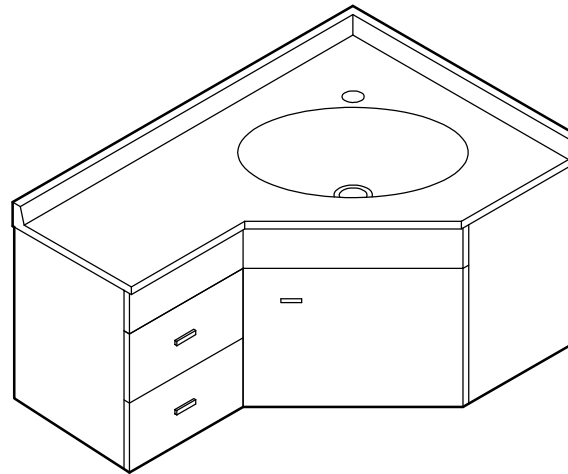
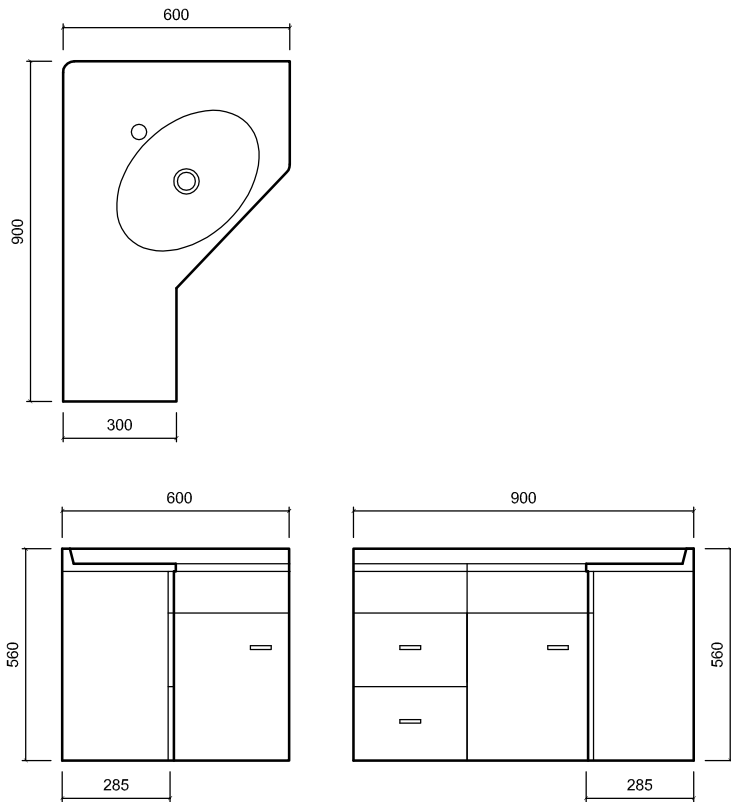
Job No:

Drawn By:
NG

Revision:

A

STELLA CORNER WALL_900x600
SINGLE DOOR TWO DRAWERS



COMPANY



Contact:

2 Enterprise Drive (off Corban Avenue),
Henderson,
Auckland,
NEW ZEALAND

Phone: 64 (9) 837-4276

Fax: 64 (9) 837-4325

Email: info@stmichel.co.nz

Website: www.stmichel.co.nz

Drawing Title:

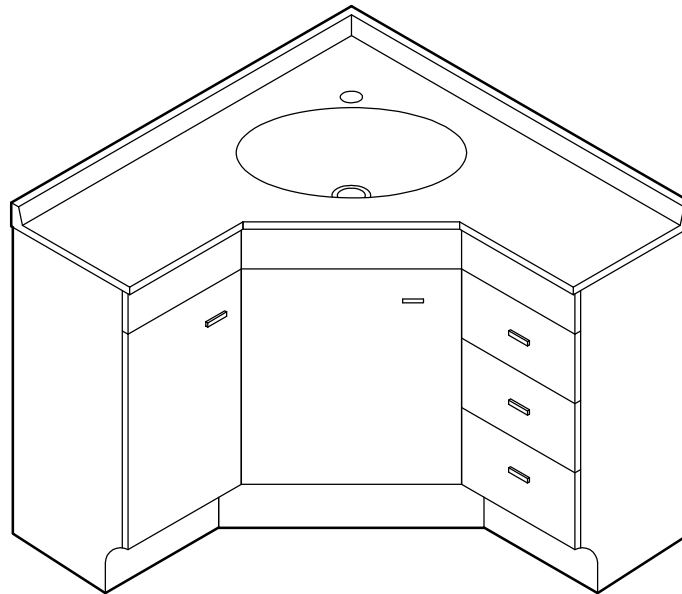
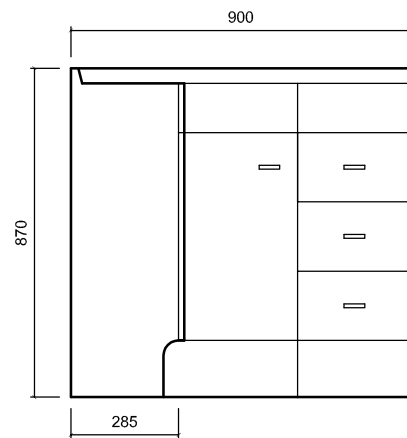
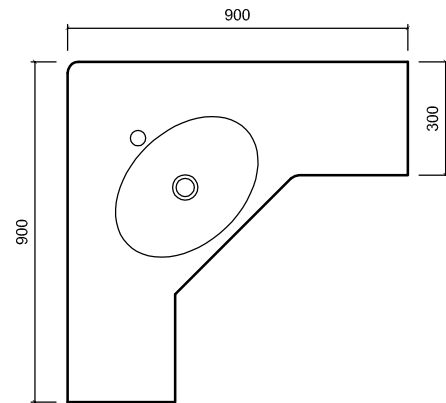
STELLA_CORNER_900X600
WALL_1D2DR

Note:

Stella Corner Wall 900x600 with Corner Integra Basin.
High Glass Corners refer Cosmo Range (floor only).

Xrefs Attached:	File Name:	Scale at A4:
	CORNERS.DWG	1:20
	Date Drawn:	Job No:
	June 2008	
Drawn By:	Revision:	
NG	A	

STELLA CORNER FLOOR_900x900 DOUBLE DOOR THREE DRAWERS



COMPANY

st.michel
BATHROOMWARE

Contact:

2 Enterprise Drive (off Corban Avenue),
Henderson,
Auckland,
NEW ZEALAND

Phone: 64 (9) 837-4276

Fax: 64 (9) 837-4325

Email: info@stmichel.co.nz

Website: www.stmichel.co.nz

Drawing Title:

STELLA_CORNER_900X900
FLOOR_2D3DR

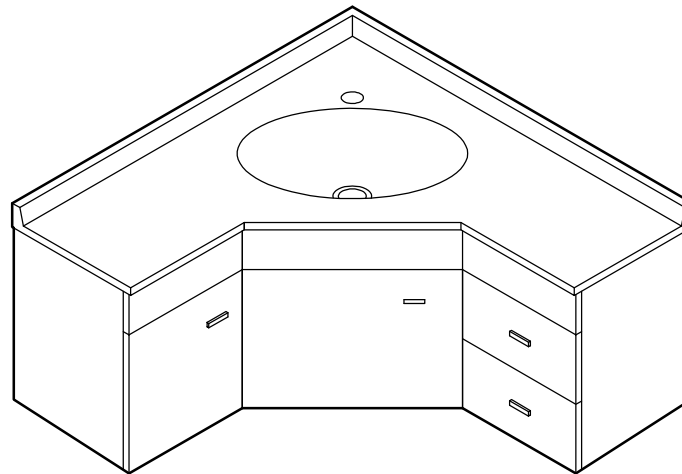
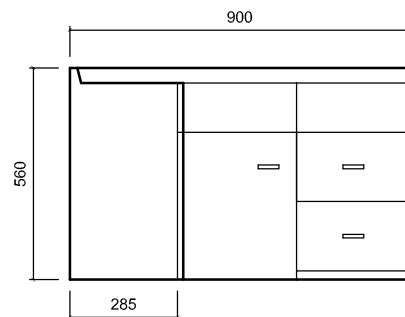
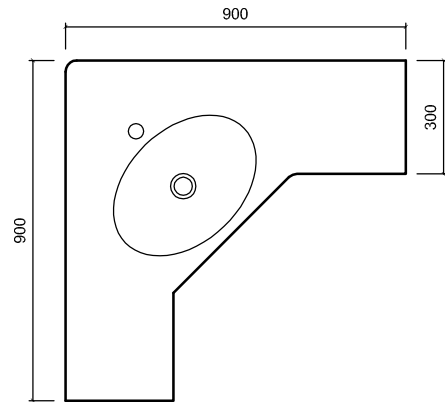
Note:

Stella Corner 900x900 with Corner Integra Basin.
High Glass Corners refer Cosmo Range (floor only).

Xref's Attached:

File Name:	CORNERS.DWG	Scale at A4:	1:20
Date Drawn:	June 2008	Job No:	
Drawn By:	NG	Revision:	A

STELLA CORNER WALL_900x900 DOUBLE DOOR TWO DRAWERS



COMPANY

st.michel
BATHROOMWARE

Contact:

2 Enterprise Drive (off Corban Avenue),
Henderson,
Auckland,
NEW ZEALAND

Phone:

64 (9) 837-4276

Fax:

64 (9) 837-4325

Email:

info@stmichel.co.nz

Website:

www.stmichel.co.nz

Drawing Title:

STELLA_CORNER_900X900
WALL_2D2DR

Note:

Stella Corner Wall 900x900 with Corner Integra Basin.
High Glass Corners refer Cosmo Range (floor only).

Xref's Attached:

File Name:

CORNERS.DWG

Scale at A4:

1:20

Date Drawn:

June 2008

Job No:

Drawn By:

NG

Revision:

A