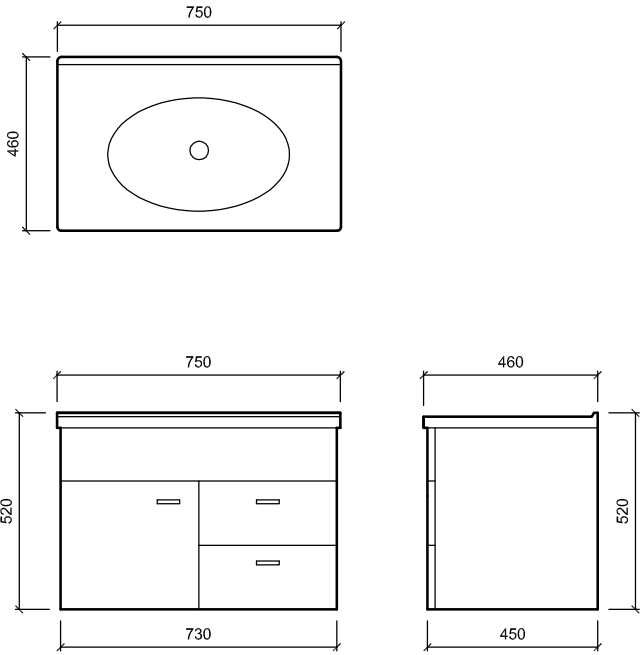


STELLA FORRANA WALL_750
SINGLE DOOR THREE DRAWERS



COMPANY

st.michel
BATHROOMWARE

Contact:

2 Enterprise Drive (off Corban Avenue),
Henderson,
Auckland,
NEW ZEALAND

Phone: 64 (9) 837-4276

Fax: 64 (9) 837-4325

Email: Info@stmichel.co.nz

Website: www.stmichel.co.nz

Drawing Title:

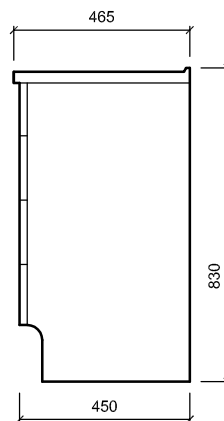
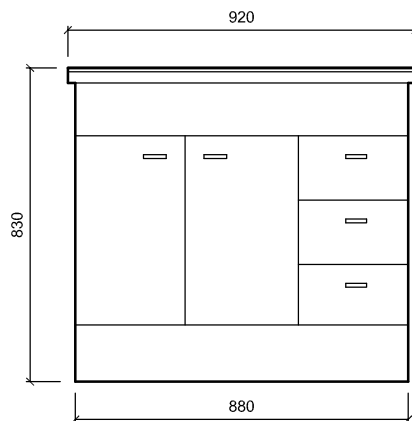
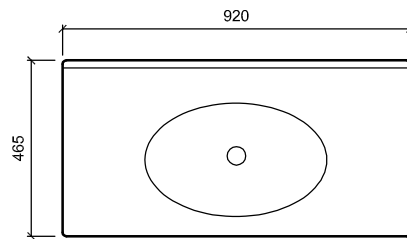
STELLA_FORRANA_WALL
750_1D3DR

Note:

Stella Forrana Wall 750 with Ellipse Basin

Xref's Attached:	File Name:	Scale at A4:
	STELLA_C_SR_F.DWG	1:20
	Date Drawn:	Job No:
	June 2008	
Drawn By:	Revision:	
NG		A

STELLA FORRANA FLOOR_900 DOUBLE DOOR THREE DRAWERS



COMPANY

st.michel
BATHROOMWARE

Contact:

2 Enterprise Drive (off Corban Avenue),
Henderson,
Auckland,
NEW ZEALAND

Phone: 64 (9) 837-4276

Fax: 64 (9) 837-4325

Email: info@stmichel.co.nz

Website: www.stmichel.co.nz

Drawing Title:

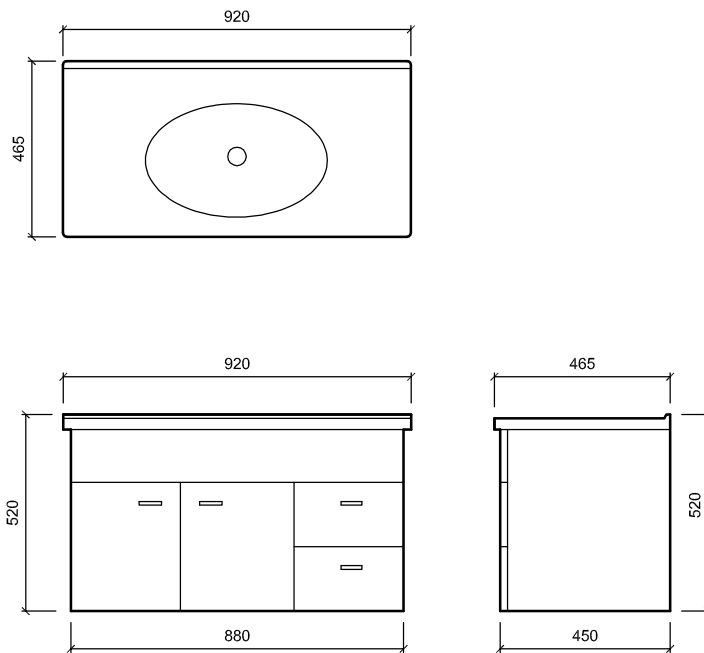
STELLA_FORRANA_FLOOR
900_2D3DR

Note:

Stella Forrana Floor 900 with Ellipse Basin

Xrefs Attached:	File Name:	Scale at A4:
	STELLA_C_SR_F.DWG	1:20
	Date Drawn:	Job No:
	June 2008	
Drawn By:	Revision:	
NG		A

STELLA FORRANA WALL_900 DOUBLE DOOR TWO DRAWERS



COMPANY

st.michel
BATHROOMWARE

Contact:

2 Enterprise Drive (off Corban Avenue),
Henderson,
Auckland,
NEW ZEALAND

Phone: 64 (9) 837-4276

Fax: 64 (9) 837-4325

Email: info@stmichel.co.nz

Website: www.stmichel.co.nz

Drawing Title:

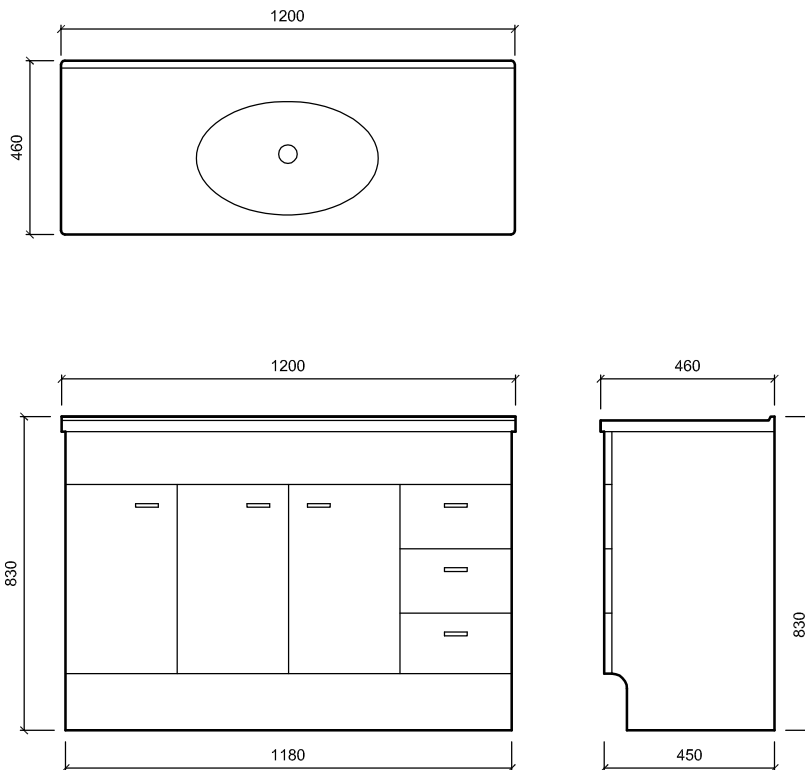
STELLA_FORRANA_WALL
900_2D2DR

Note:

Stella Forrana Wall 900 with Ellipse Basin

Xrefs Attached:	File Name:	Scale at A4:
	STELLA_C_SR_F.DWG	1:20
	Date Drawn:	Job No:
	June 2008	
Drawn By:	Revision:	
NG		A

STELLA FORRANA FLOOR_1200 THREE DOOR THREE DRAWERS



COMPANY

st.michel
BATHROOMWARE

Contact:

2 Enterprise Drive (off Corban Avenue),
Henderson,
Auckland,
NEW ZEALAND

Phone: 64 (9) 837-4276

Fax: 64 (9) 837-4325

Email: info@stmichel.co.nz

Website: www.stmichel.co.nz

Drawing Title:

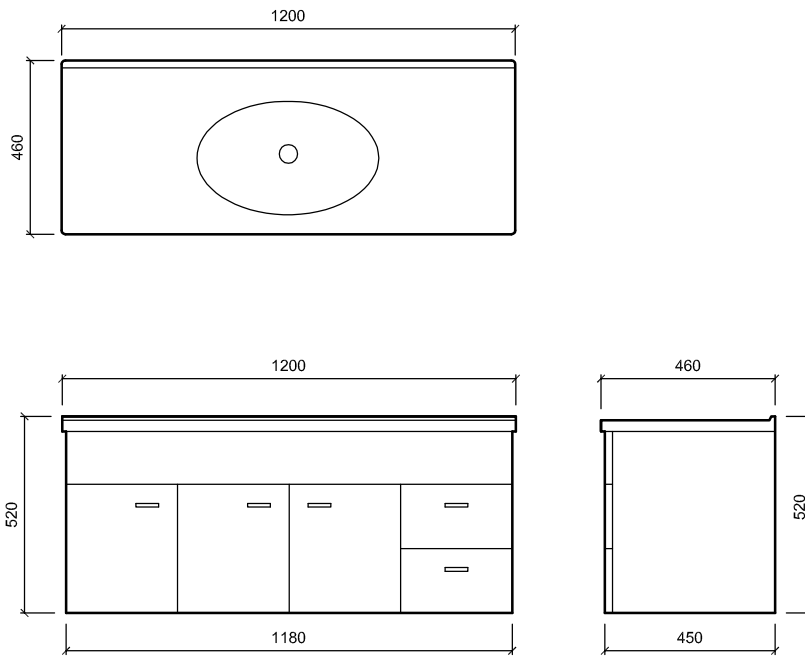
STELLA_FORRANA_FLOOR
1200_3D3DR

Note:

Stella Forrana Floor 1200 with Ellipse Basin

Xrefs Attached:	File Name:	Scale at A4:
	STELLA_C_SR_F.DWG	1:20
	Date Drawn:	Job No:
	June 2008	
Drawn By:	Revision:	
NG		A

STELLA FORRANA WALL_1200 THREE DOOR TWO DRAWERS



COMPANY

st.michel
BATHROOMWARE

Contact:

2 Enterprise Drive (off Corban Avenue),
Henderson,
Auckland,
NEW ZEALAND

Phone: 64 (9) 837-4276

Fax: 64 (9) 837-4325

Email: info@stmichel.co.nz

Website: www.stmichel.co.nz

Drawing Title:

STELLA_FORRANA_WALL
1200_3D2DR

Note:

Stella Forrana Wall 1200 with Ellipse Basin

Xrefs Attached:

File Name: Scale at A4:

STELLA_C_SR_F.DWG 1:20

Date Drawn: Job No:

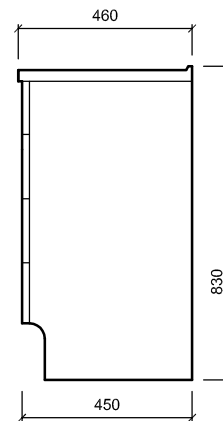
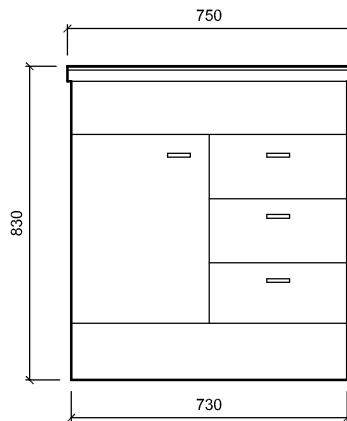
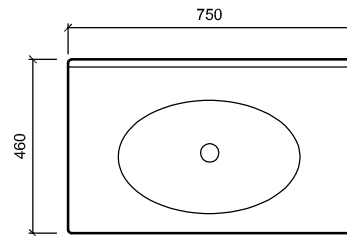
June 2008

Drawn By: Revision:

NG

A

STELLA FORRANA FLOOR_750 SINGLE DOOR THREE DRAWERS



COMPANY

st.michel
BATHROOMWARE

Contact:

2 Enterprise Drive (off Corban Avenue),
Henderson,
Auckland,
NEW ZEALAND

Phone:

64 (9) 837-4276

Fax:

64 (9) 837-4325

Email:

Info@stmichel.co.nz

Website:

www.stmichel.co.nz

Drawing Title:

STELLA_FORRANA_FLOOR
750_1D3DR

Note:

Stella Forrana Wall 750 with Ellipse Basin

Xrefs Attached:	File Name:	Scale at A4:
	STELLA_C_SR_F.DWG	1:20
	Date Drawn:	Job No:
	June 2008	
Drawn By:	Revision:	
NG		A