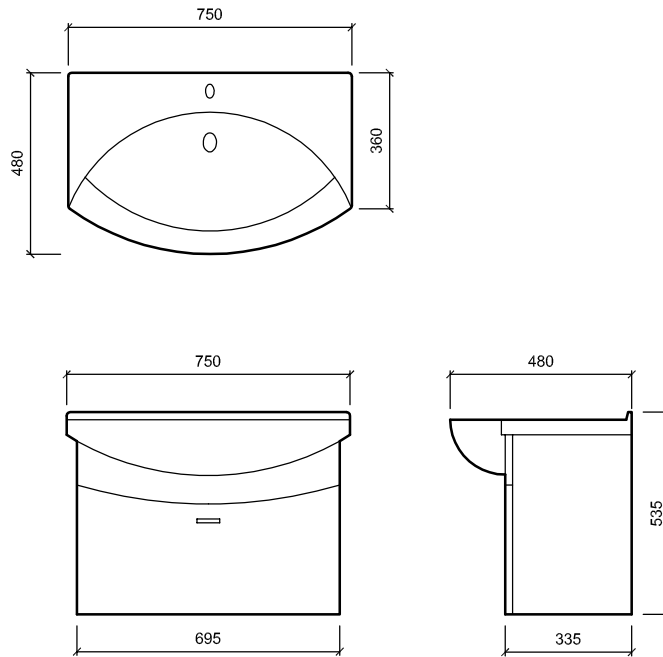


VOLA WALL 750



COMPANY

st.michel
BATHROOMWARE

Contact:

2 Enterprise Drive (off Corban Avenue),
Henderson,
Auckland,
NEW ZEALAND

Phone: 64 (9) 837-4276

Fax: 64 (9) 837-4325

Email: info@stmichel.co.nz

Website: www.stmichel.co.nz

Drawing Title:

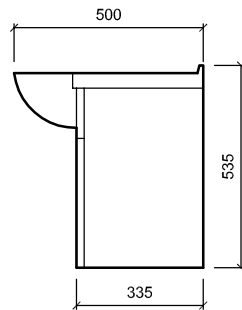
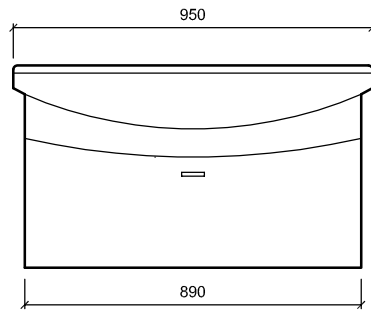
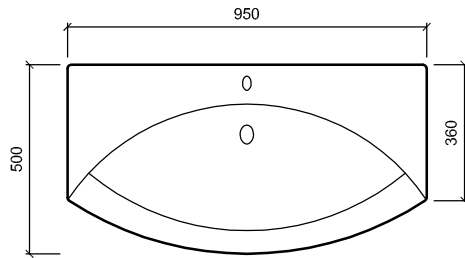
VOLA_WALL_750

Note:

Vola Wall 750 with Zeus Basin
White and Durashell Woodgrain available

Xrefs Attached:	File Name:	Scale at A4:
	VOLA.DWG	1:20
	Date Drawn:	Job No:
	April 2008	
Drawn By:	Revision:	
NG	A	

VOLA WALL 950



COMPANY

st.michel
BATHROOMWARE

Contact:

2 Enterprise Drive (off Corban Avenue),
Henderson,
Auckland,
NEW ZEALAND

Phone: 64 (9) 837-4276

Fax: 64 (9) 837-4325

Email: info@stmichel.co.nz

Website: www.stmichel.co.nz

Drawing Title:

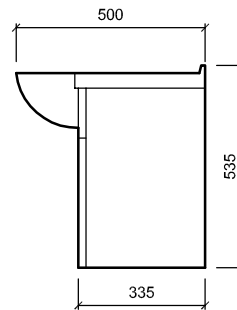
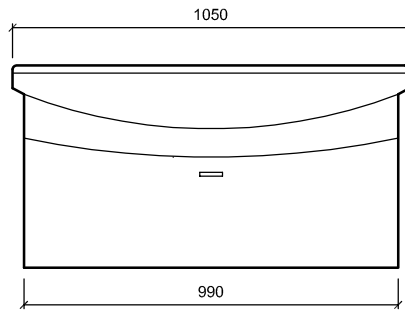
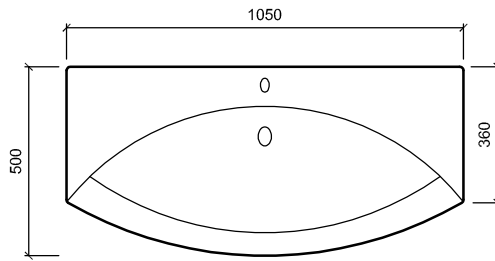
VOLA_WALL_950

Note:

Vola Wall 950 with Zeus Basin
White and Durashell Woodgrain available

Xrefs Attached:	File Name:	Scale at A4:
	VOLA.DWG	1:20
Date Drawn:	Drawn By:	Job No:
	April 2008	
Drawn By:	Revision:	
	NG	A

VOLA WALL 1050



COMPANY

st.michel
BATHROOMWARE

Contact:

2 Enterprise Drive (off Corban Avenue),
Henderson,
Auckland,
NEW ZEALAND

Phone: 64 (9) 837-4276

Fax: 64 (9) 837-4325

Email: info@stmichel.co.nz

Website: www.stmichel.co.nz

Drawing Title:

VOLA_WALL_1050

Note:

Vola Wall 1050 with Zeus Basin
White and Durashell Woodgrain available

Xrefs Attached:	File Name:	Scale at A4:
	VOLA.DWG	1:20
	Date Drawn:	Job No:
	April 2008	
Drawn By:	Revision:	
NG		A