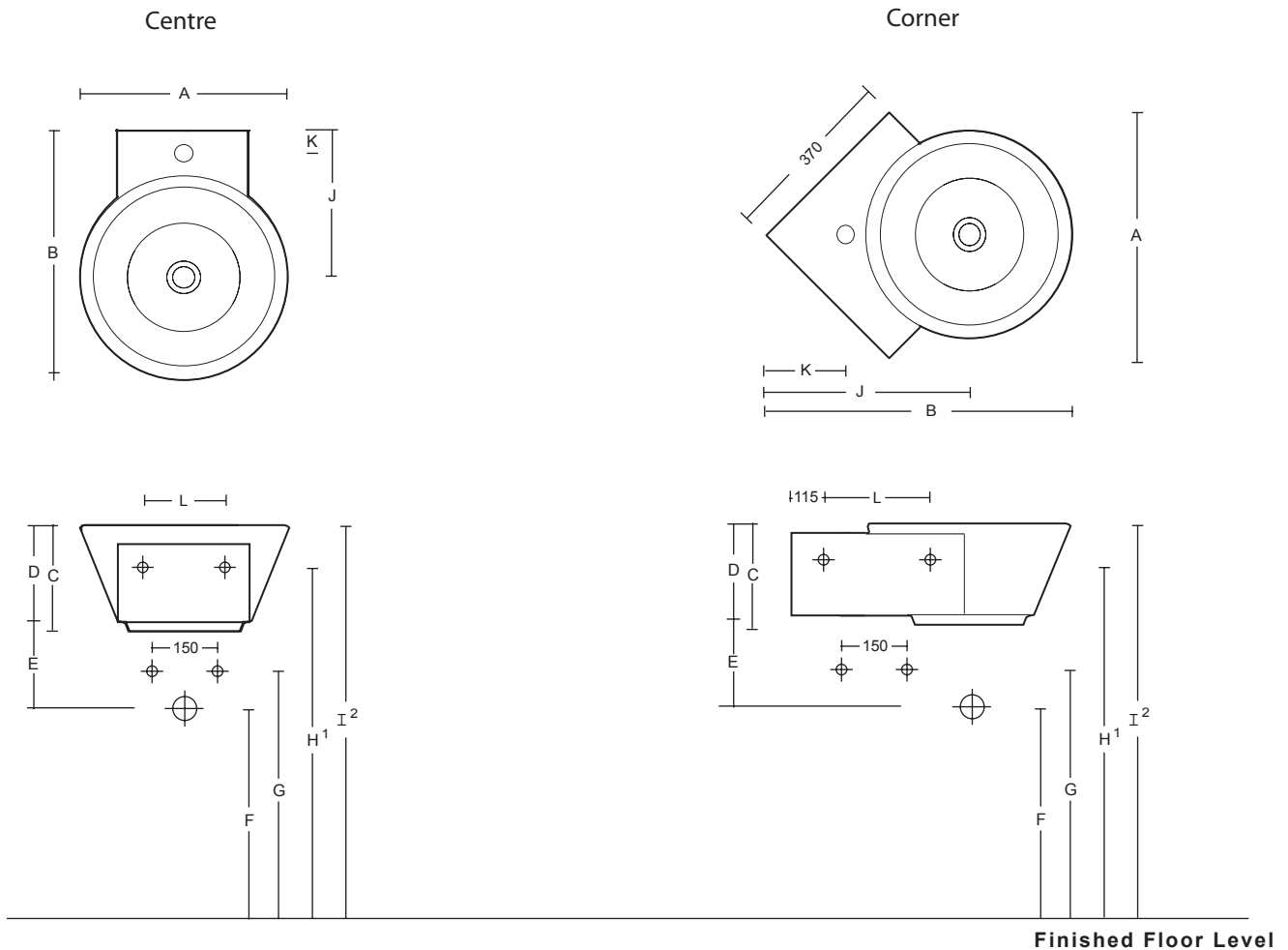


Please Note; when installing a wall hung St Michel cabinet determine the bench top height of the cabinet i.e. dimension 'I' before positioning wall nog & calculating plumbing connections.



description	A	B	C	D	E	F	G	H	I	J	K	L	bowl size		
													width	depth	height
Centre	440	530	210	185	110	575	630	805	870	310	50	150	380	380	135
Corner	520	640	210	185	110	575	630	785	870	420	150	145	380	380	135

Note: E measurement is from bottom of basin outlet to centre of wall waste pipe.

Standard Supply		<p>1 Ensure nog is oversized to cope with variations in fixing hole spacing. As hole positions vary top to top due to production limitations it will be necessary to place the basin in position and mark through the holes in the top.</p> <p>2 If you increase or decrease height of vessel basin (ie dimension I) then F, G, H dimensions must be amended accordingly</p> <p>Note: Waste outlet positioned for standard chrome bottletrap and pop-up basin waste.</p>
Tap Hole	1	
Colour	White	
Integral Overflow	Yes	