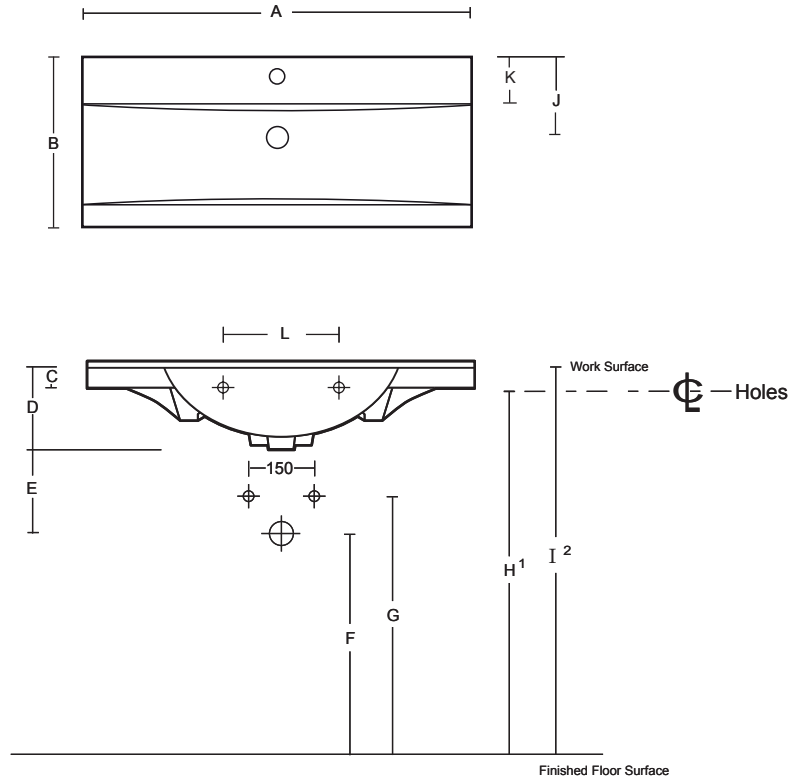


**Please Note;** when installing a wall hung St Michel cabinet determine the bench top height of the cabinet i.e. dimension 'I' before positioning wall nog & calculating plumbing connections.



description	A	B	C	D	E	F	G	H	I	J	K	L	bowl size		
													width	depth	height
<b>Clever</b>	500	390	40	190	110	570	650	830	870	190	105	280	415	235	140
<b>Clever</b>	600	390	40	190	110	570	650	830	870	190	105	280	530	235	140
<b>Clever</b>	700	390	40	190	110	570	650	830	870	190	105	280	590	235	140
<b>Clever</b>	800	390	40	190	110	570	650	830	870	190	105	280	685	235	140
<b>Clever</b>	900	390	40	190	110	570	650	830	870	190	105	280	785	235	140

Standard Supply		<ol style="list-style-type: none"> <li>1 Ensure nog is oversized to cope with variations in fixing hole spacing. As hole positions vary top to top due to production limitations it will be necessary to place the basin in position and mark through the holes in the top.</li> <li>2 If you increase or decrease height of vessel basin (ie dimension I) then F, G, H dimensions must be amended accordingly</li> </ol> <p><b>Note:</b> Waste outlet positioned for standard chrome bottletrap and pop-up basin waste.</p>
Tap Hole	1	
Colour	White	
Integral Overflow	Yes	