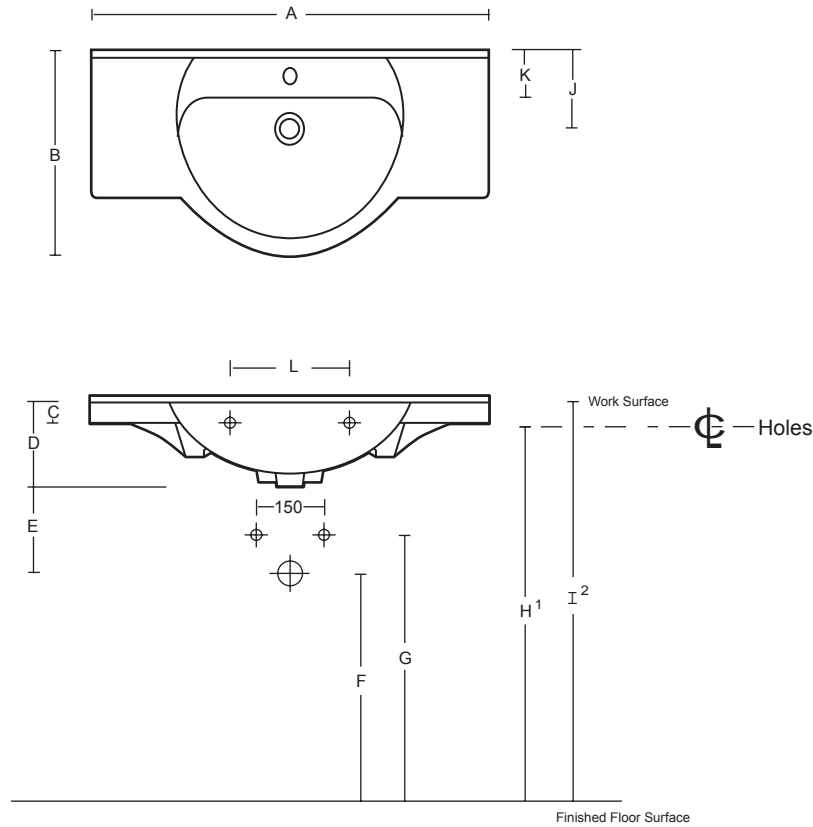


Please Note; when installing a wall hung St Michel cabinet determine the bench top height of the cabinet i.e. dimension 'I' before positioning wall nog & calculating plumbing connections.



description	A	B	C	D	E	F	G	H	I	J	K	L	bowl size		
													width	depth	height
Domus	550	420	40	170	115	565	630	800	850	200	135	230	430	250	120
Domus	650	420	40	170	115	565	630	800	850	200	135	350	430	250	120
Domus	750	480	50	200	110	540	630	800	850	200	135	350	500	300	140
Domus	850	480	50	200	110	540	630	800	850	200	135	350	500	300	140
Domus	950	500	50	200	110	540	630	800	850	200	135	710	520	330	150
Domus	1050	500	50	200	110	540	630	800	850	200	135	710	520	330	150

Standard Supply		<ol style="list-style-type: none"> 1 Ensure nog is oversized to cope with variations in fixing hole spacing. As hole positions vary top to top due to production limitations it will be necessary to place the basin in position and mark through the holes in the top. 2 If you increase or decrease height of vessel basin (ie dimension I) then F, G, H dimensions must be amended accordingly <p>Note: Waste outlet positioned for standard chrome bottletrap and pop-up basin waste.</p>
Tap Hole	1	
Colour	White	
Integral Overflow	Yes	