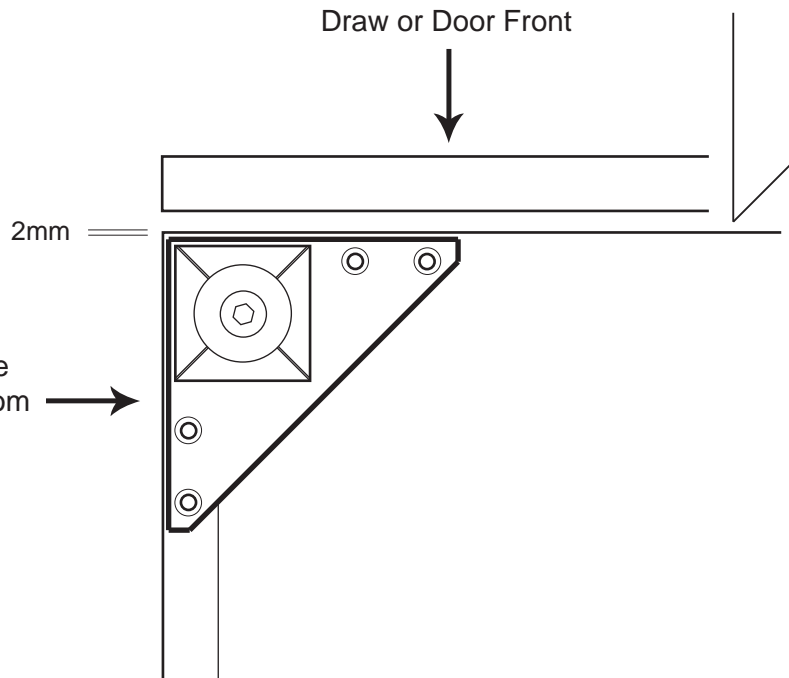


Leg Attachment Instructions

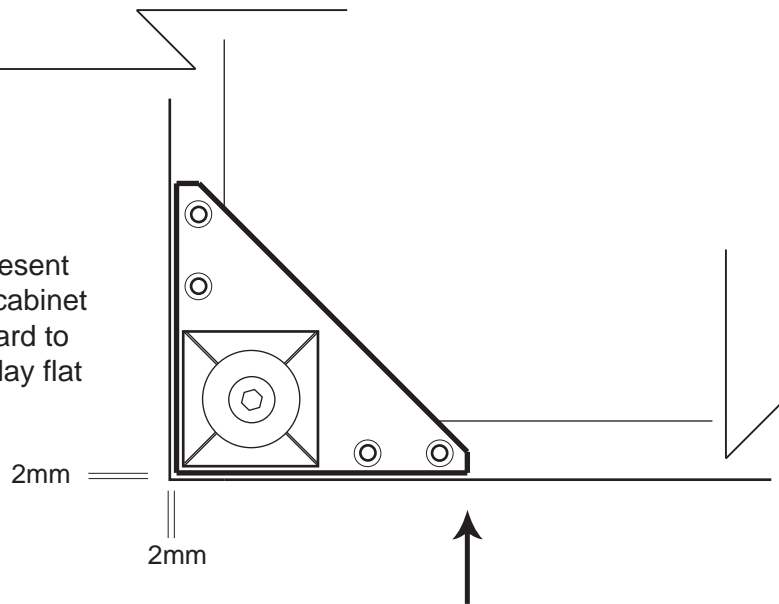


Adjustable Leg

The Legs base plate is placed 2mm in from the out side edges of the cabinet.



Please Note; when skirting is present legs located on the back of the cabinet may need to be re- position inward to allow the back of the cabinet to lay flat with the wall.



Please use screws supplied by St Michel when fixing legs to the cabinet. We recommend pre- drilling with a 3mm pilot hole.