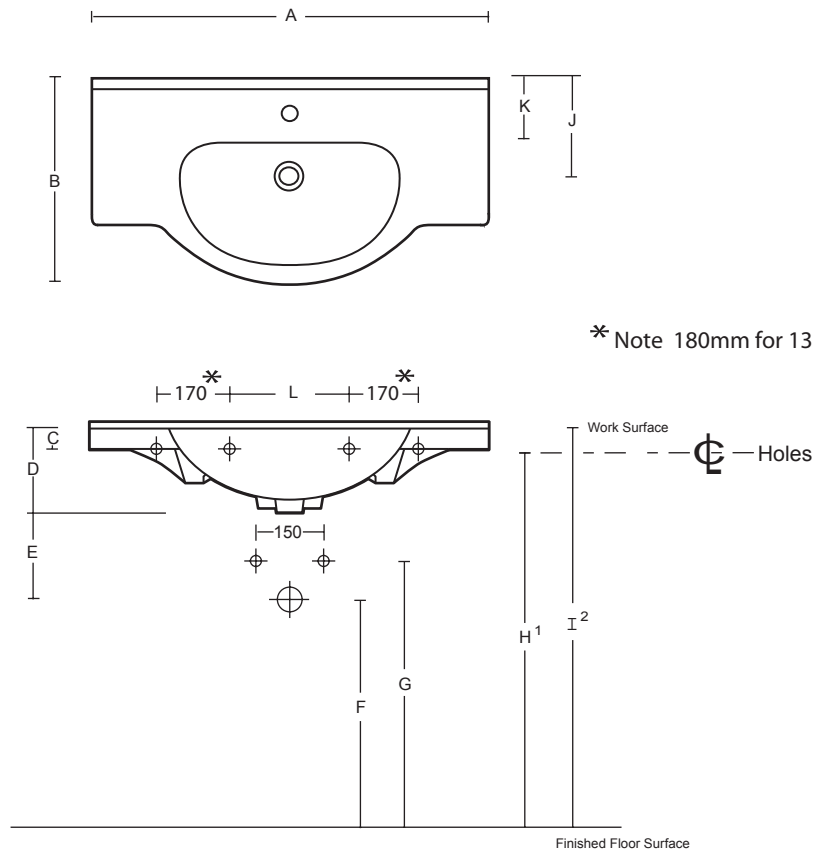


**Please Note:** when installing a wall hung St Michel cabinet determine the bench top height of the cabinet i.e. dimension 'I' before positioning wall nog & calculating plumbing connections.



description	A	B	C	D	E	F	G	H	I	J	K	L	bowl size		
													width	depth	height
<b>Piani</b>	750	500	50	200	110	540	630	770	850	225	160	320	520	300	150
<b>Piani</b>	850	500	50	200	110	540	630	770	850	225	160	320	520	300	150
<b>Piani</b>	950	500	50	200	110	540	630	770	850	225	160	320	520	300	150
<b>Piani</b>	1050	500	50	200	110	540	630	770	850	225	160	320	520	300	150
<b>Piani</b>	1300	500	50	200	110	540	630	770	850	225	160	320	520	300	150

Standard Supply		<ol style="list-style-type: none"> <li>1 Ensure nog is oversized to cope with variations in fixing hole spacing. As hole positions vary top to top due to production limitations it will be necessary to place the basin in position and mark through the holes in the top.</li> <li>2 If you increase or decrease height of vessel basin (ie dimension I) then F, G, H dimensions must be amended accordingly</li> </ol> <p><b>Note:</b> Waste outlet positioned for standard chrome bottletrap and pop-up basin waste.</p>
Tap Hole	1	
Colour	White	
Integral Overflow	Yes	