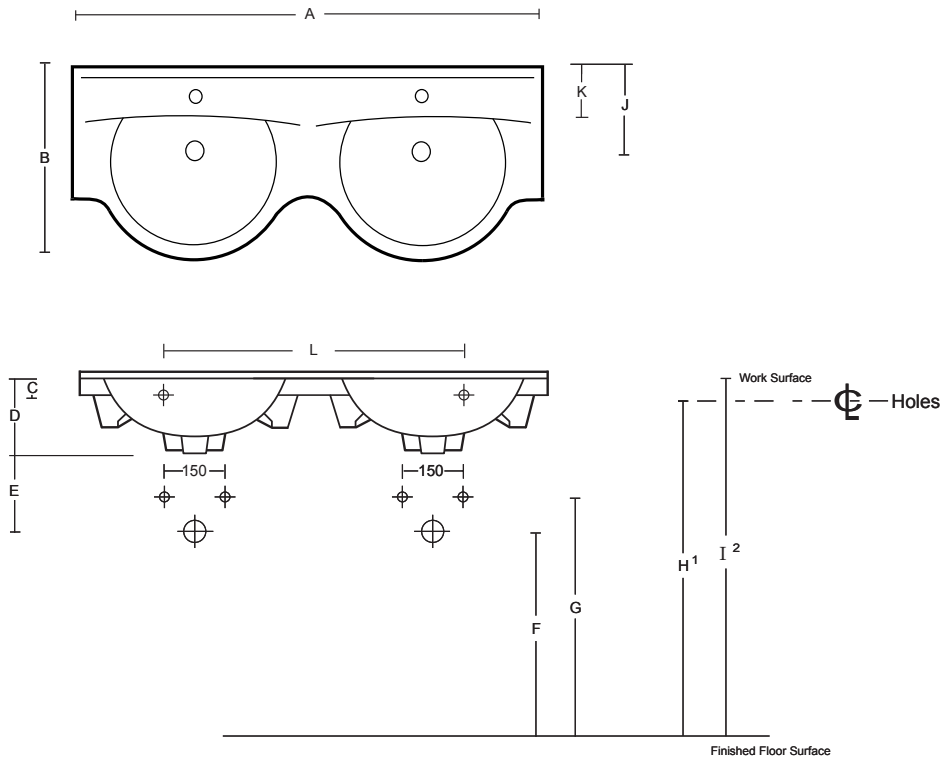


Please Note; when installing a wall hung St Michel cabinet determine the bench top height of the cabinet i.e. dimension 'I' before positioning wall nog & calculating plumbing connections.



description	A	B	C	D	E	F	G	H	I	J	K	L	bowl size		
													width	depth	height
Twosome	1240	500	45	200	110	530	590	790	840	200	140	495	435	310	145

Standard Supply		<p>1 Ensure nog is oversized to cope with variations in fixing hole spacing. As hole positions vary top to top due to production limitations it will be necessary to place the basin in position and mark through the holes in the top.</p> <p>2 If you increase or decrease height of vessel basin (ie dimension I) then F, G, H dimensions must be amended accordingly</p> <p>Note: Waste outlet positioned for standard chrome bottletrap and pop-up basin waste.</p>
Tap Hole	1	
Colour	White	
Integral Overflow	Yes	