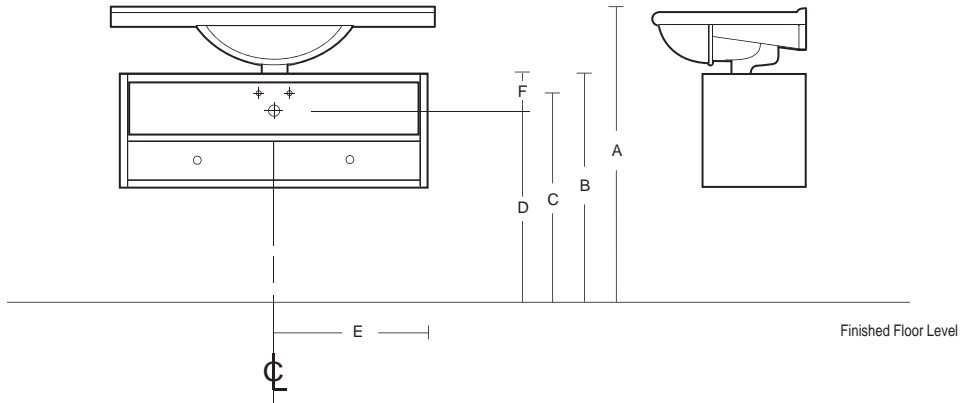
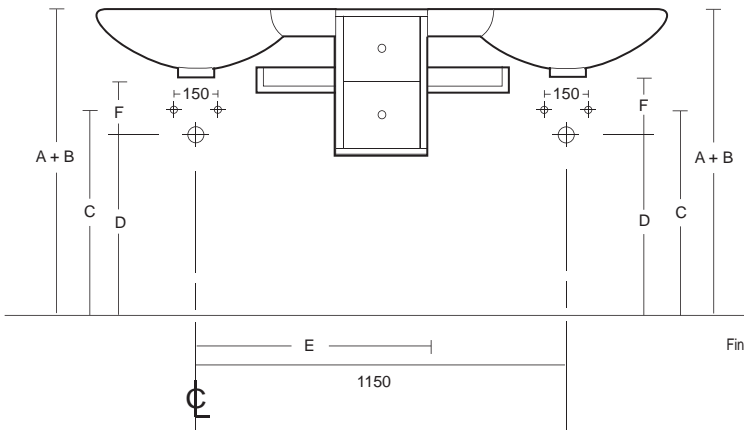


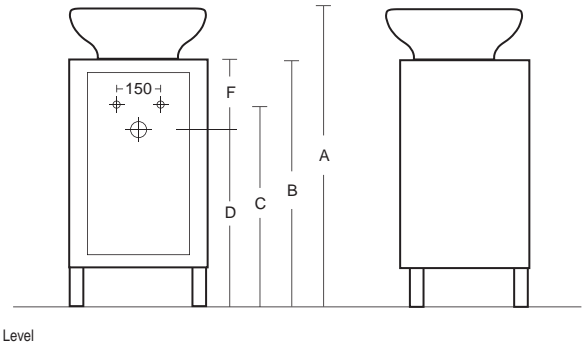
Valdez 950 + 1050



Valdez 990 + 1710



Valdez 400



description	basin	A bench top	B cabinet height	C	D	E	F
Valdez 950		870	650	580	550	⌀ basin	110
Valdez 1050		870	650	580	550	⌀ basin	110
Valdez 990	Novella	870	870	650	550	710	110
Valdez 1710	Novella	870	870	650	550	---	110
Valdez 400	Baly	885	735	660	615	⌀ basin	120

Basin Standard Supply		Note: Waste outlet positioned for standard chrome bottletrap and pop-up basin waste. If you increase or decrease height of vessel basin (ie dimension A) then C + D dimensions must be amended accordingly F measurement is from bottom of basin outlet to centre of wall waste pipe - if another waste trap is used you will have to confirm F measurement suits or adjust accordingly
Tap Hole	1	
Colour	White	
Integral Overflow	Yes	