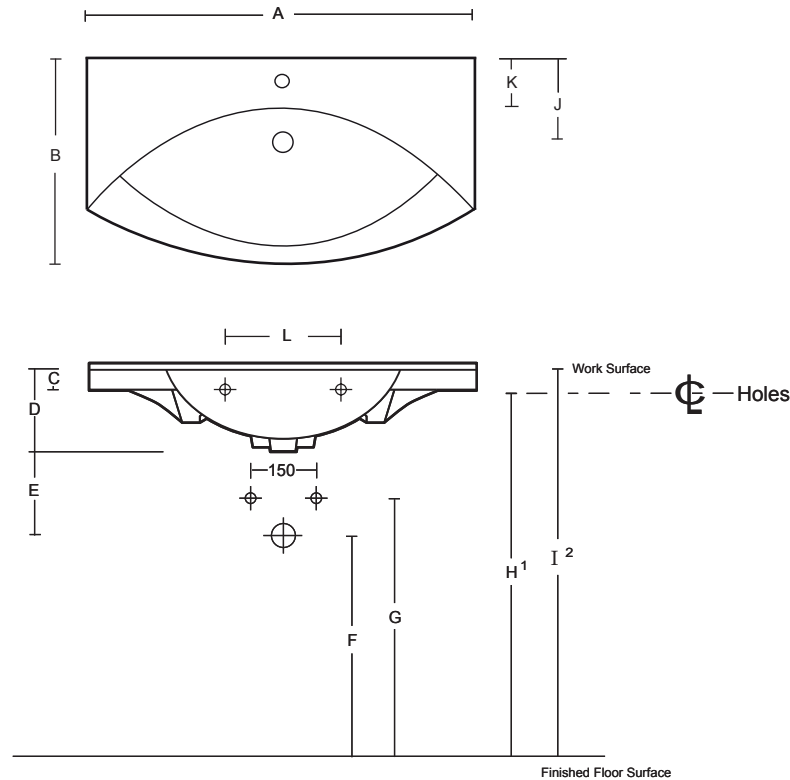


**Please Note;** when installing a wall hung St Michel cabinet determine the bench top height of the cabinet i.e. dimension 'I' before positioning wall nog & calculating plumbing connections.



description	A	B	C	D	E	F	G	H	I	J	K	L	bowl size		
													width	depth	height
<b>Zeus</b>	550	420	36	175	110	585	675	820	870	190	130	230	410	245	130
<b>Zeus</b>	650	420	36	175	110	585	675	820	870	190	130	330	450	250	130
<b>Zeus</b>	750	480	46	190	110	570	650	820	870	190	130	340	570	295	140
<b>Zeus</b>	850	480	46	190	110	570	650	820	870	190	130	340	580	295	140
<b>Zeus</b>	950	500	46	200	110	560	650	820	870	190	130	705	600	305	155
<b>Zeus</b>	1050	500	46	200	110	560	650	820	870	190	135	705	610	305	155

Standard Supply		<ol style="list-style-type: none"> <li>1 Ensure nog is oversized to cope with variations in fixing hole spacing. As hole positions vary top to top due to production limitations it will be necessary to place the basin in position and mark through the holes in the top.</li> <li>2 If you increase or decrease height of vessel basin (ie dimension I) then F, G, H dimensions must be amended accordingly</li> </ol> <p><b>Note:</b> Waste outlet positioned for standard chrome bottletrap and pop-up basin waste.</p>
Tap Hole	1	
Colour	White	
Integral Overflow	Yes	