

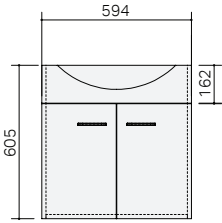
CABINET SPECIFICATIONS

Vanity Range: Casa

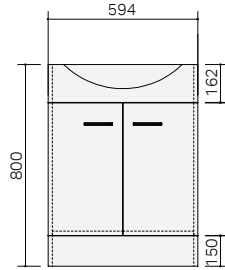
Basin: Corinne

Drawings depict cabinet only. Dotted lines indicate internal cabinet parts.
Gaps inbetween doors and drawers are 2mm. All measurements are in millimetres and are +/- 2mm.

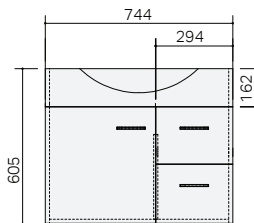
Casa 600 Wall



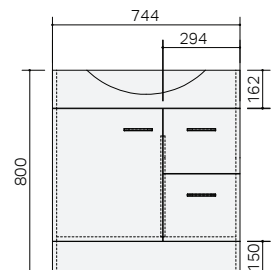
Casa 600 Floor



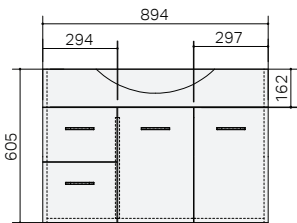
Casa 750 Wall



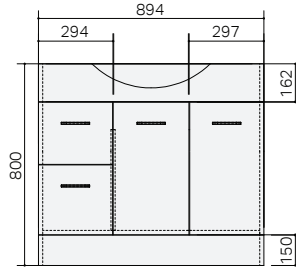
Casa 750 Floor



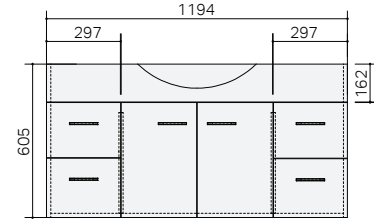
Casa 900 Wall



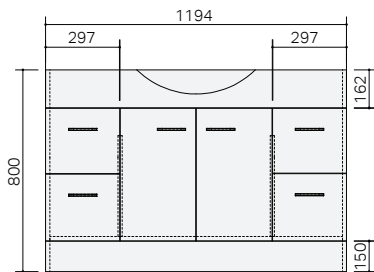
Casa 900 Floor



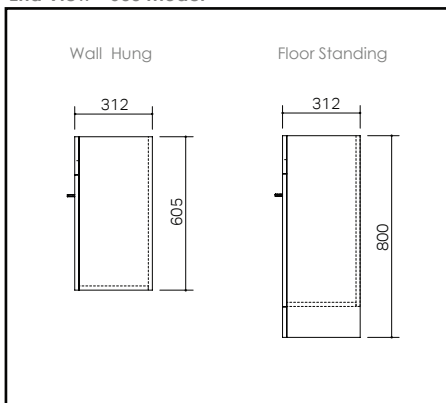
Casa 1200 Wall



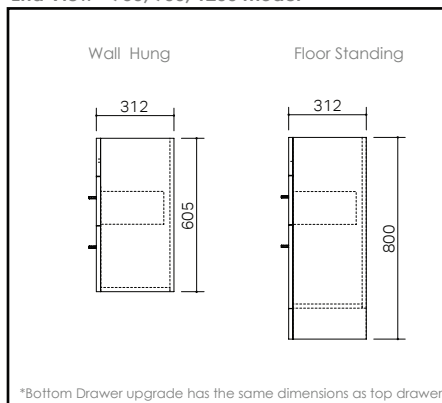
Casa 1200 Floor



End View - 600 model

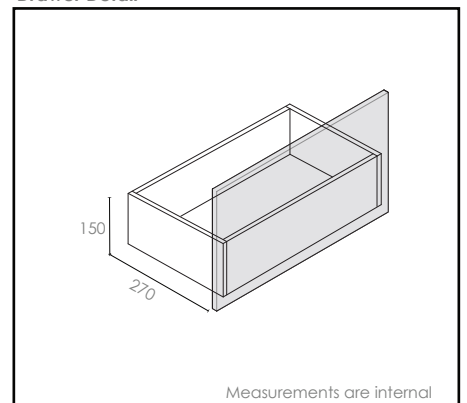


End View - 750, 900, 1200 model



*Bottom Drawer upgrade has the same dimensions as top drawer

Drawer Detail



Measurements are internal

St Michel pursues a policy of continuing improvement in design and manufacturing of its products.
The right is therefore reserved to vary specifications without notice | Revised 03/2024