

# Penelope 400

## BASIN SPECIFICATION



### Product Features

Product Code	2320
Type of basin	Console
Material of basin	Mineral Cast
Capacity of basin	1 litre
Overflow Configuration	Overflow supplied Max tap flow rate 5 litres / minute
Colour options	White Gloss

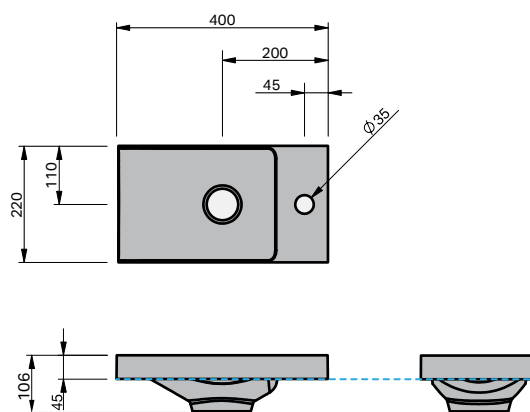
- Can not be wall hung.
- The basin must be sealed to the top with an acetic cured silicone sealant.
- Epoxy type sealants must not be used.
- The basin is reversible.

Cabinet range (refer to applicable cabinet specifications)



MINI B

INDICATES TOP SURFACE -----



**IMPORTANT NOTE:** Throughout this guide, dimensions are nominal. Please read the installation manual for detailed information on installing the product. St. Michel pursues a policy of continuing improvement in design and manufacturing of its products. The right is therefore reserved to vary specifications without notice.

st.michel  
BATHROOMWARE

(09) 837 4276 info@stmichel.co.nz