

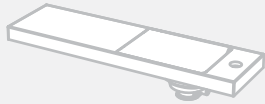
Penelope 800

BASIN SPECIFICATION



Product Features

| | |
|------------------------|--|
| Product Code | 2322 +Rail, 2322-R |
| Type of basin | Console |
| Material of basin | Mineral Cast |
| Capacity of basin | 1 litre |
| Overflow Configuration | Overflow supplied Max tap flow rate 5 litres / minute |
| Colour options | White Gloss |

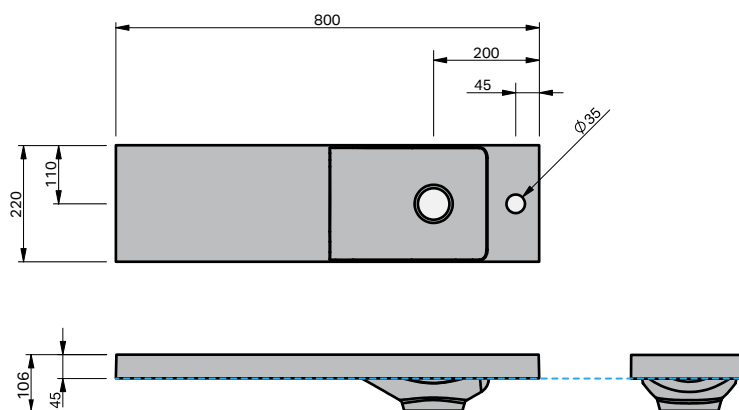


- Can not be wall hung.
- The basin must be sealed to the top with an acetic cured silicone sealant.
- Epoxy type sealants must not be used.
- The basin is reversible.

Cabinet range (refer to applicable cabinet specifications)



INDICATES TOP SURFACE -----



IMPORTANT NOTE: Throughout this guide, dimensions are nominal. Please read the installation manual for detailed information on installing the product. St. Michel pursues a policy of continuing improvement in design and manufacturing of its products. The right is therefore reserved to vary specifications without notice.

phone (09) 837 4276 email info@stmichel.co.nz stmichel.co.nz

st.michel
BATHROOMWARE