

CABINET SPECIFICATIONS

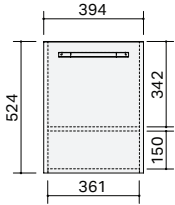
Vanity Range: Maria

Basin: Amelia & Ida

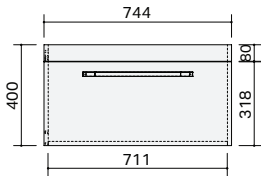
Drawings depict cabinet only. Dotted lines indicate internal cabinet parts.

Gaps inbetween doors and drawers are 2mm. All measurements are in millimetres and are +/- 2mm.

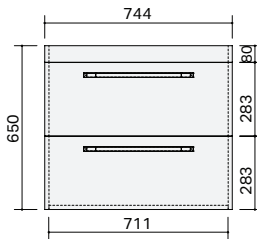
Maria 400 - 1 Door (left and right hinged)



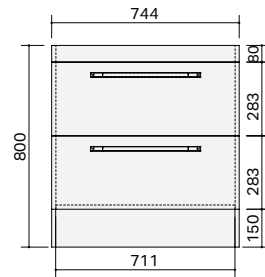
Maria 750 Wall - 1 Drawer



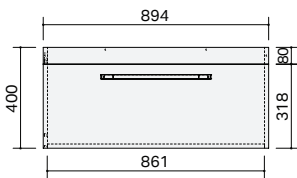
Maria 750 Wall - 2 Drawer



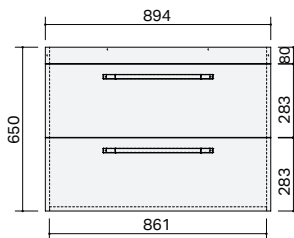
Maria 750 Floor - 2 Drawer



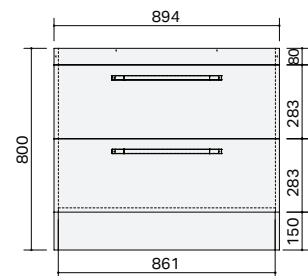
Maria 900 Wall - 1 Drawer



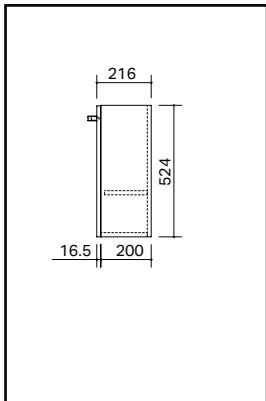
Maria 900 Wall - 2 Drawer



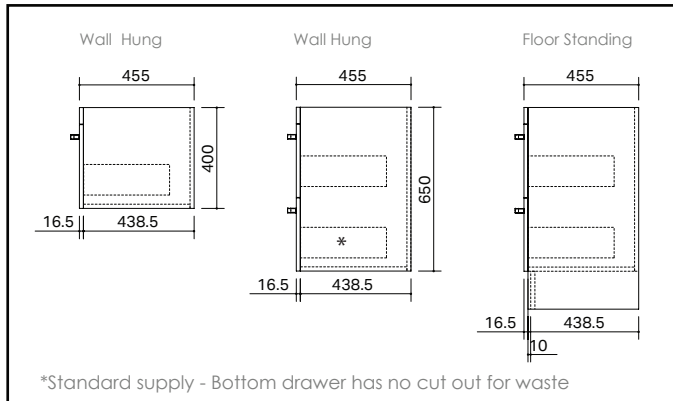
Maria 900 Floor - 2 Drawer



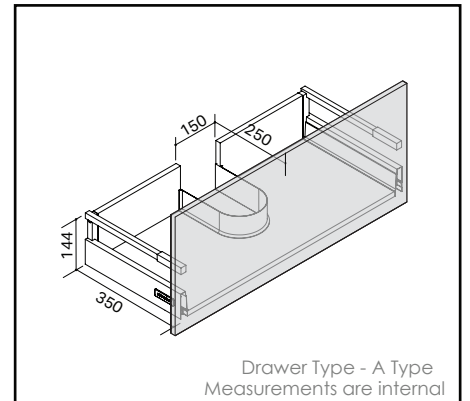
End View - Door Model



End View - Drawer Models



Drawer Detail



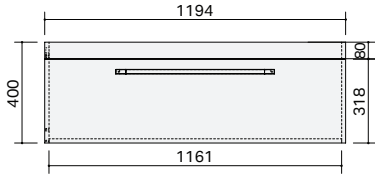
CABINET SPECIFICATIONS

Vanity Range: Maria

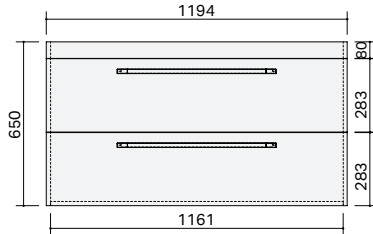
Basin: Amelia & Ida

Drawings depict cabinet only. Dotted lines indicate internal cabinet parts.
Gaps inbetween doors and drawers are 2mm. All measurements are in millimetres and are +/- 2mm.

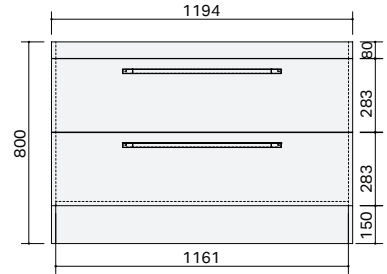
Maria 1200C Wall - 1 Drawer



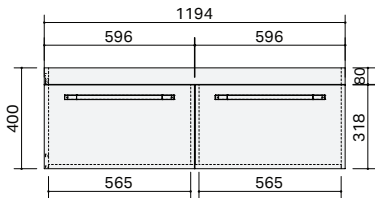
Maria 1200C Wall - 2 Drawer



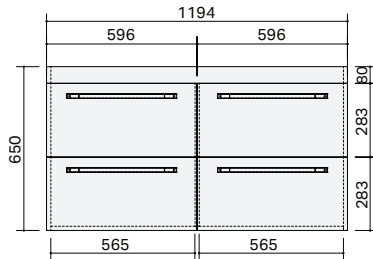
Maria 1200C Floor - 2 Drawer



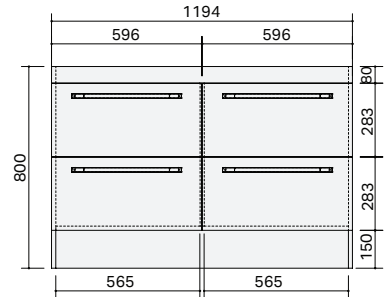
Maria1200DB Wall - 1 Drawer



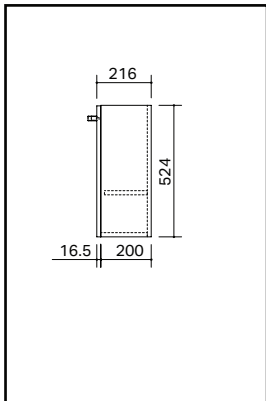
Maria 1200DB Wall - 2 Drawer



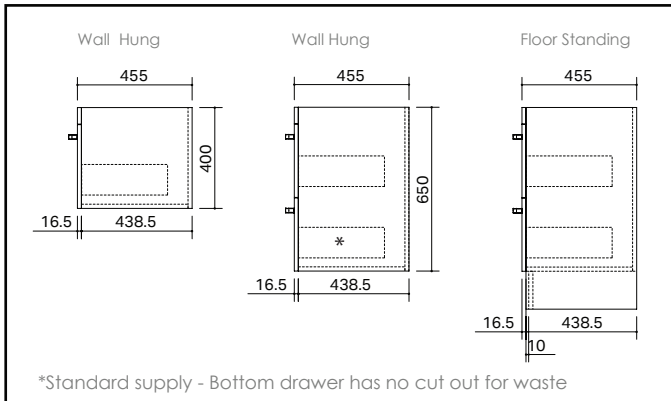
Maria 1200DB Floor - 2 Drawer



End View - Door Model



End View - Drawer Models



Drawer Detail

