

# smartB 7412

## BASIN SPECIFICATION

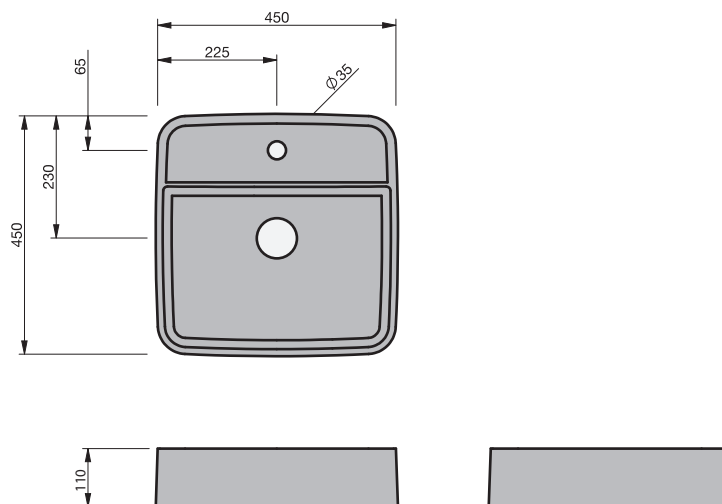


### Product Features

Product Code	Gloss White / 11407 Matte Black / 11408
Type of basin	Vessel
Material of basin	Ceramic
Capacity of basin	7.5 litre
Overflow Configuration	No overflow
Colour Options	Gloss White Matte Black

- The basin must be sealed to the top with an acetic cured silicone sealant.
- Epoxy type sealants must not be used.

INDICATES FURNITURE TOP SURFACE -----



**IMPORTANT NOTE:** Throughout this guide, dimensions may vary by  $\pm 5$ mm. Please read the installation manual for detailed information on installing the product. St. Michel pursues a policy of continuing improvement in design and manufacturing of its products. The right is therefore reserved to vary specifications without notice.

**st.michel**  
BATHROOMWARE

phone (09) 837 4276 email [info@stmichel.co.nz](mailto:info@stmichel.co.nz) [stmichel.co.nz](http://stmichel.co.nz)