

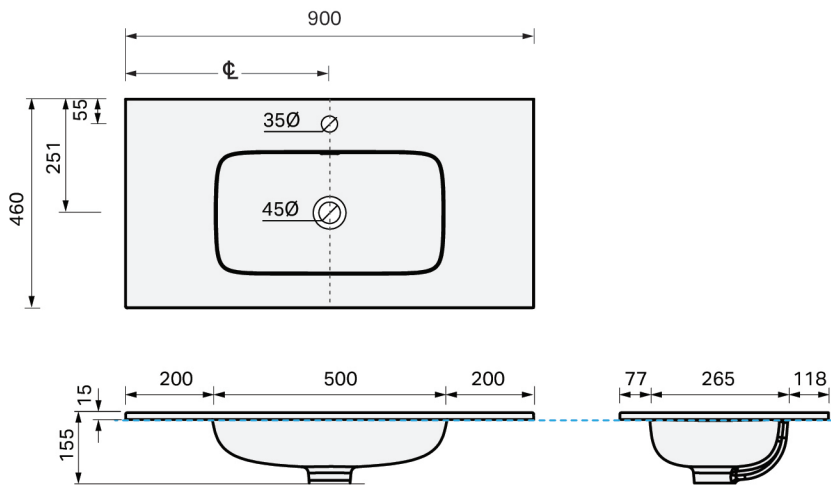
CITY LITE 46 CONSOLE 900 2DR MAXI WALL, CLEO MINERAL CAST BASIN

SPECIFICATION



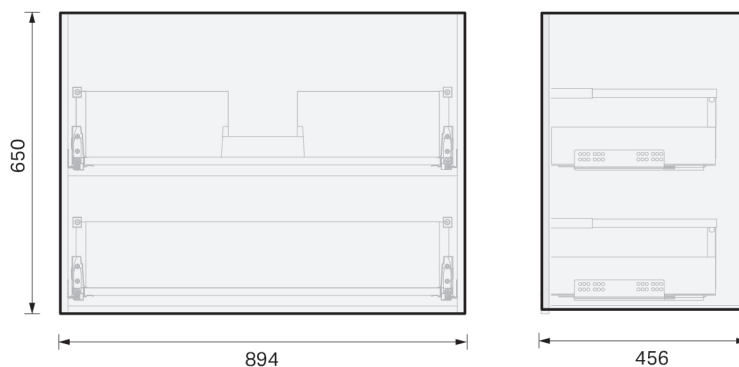
Product Code:	CL46-090C-ACAM-[Finish Code]-[Top Code] Finish Codes: F01, F02 Top Codes: CWG (Cleo White Gloss basin), CWM (Cleo White Matte basin)
Top:	Cleo Mineral Cast basin. Available in White Gloss and White Matte finishes. 7 litre bowl capacity. Overflow rated at 9L per minute.
Taphole:	White Gloss basin supplied with taphole. White Matte basin supplied without a taphole. If basin-mounted tapware is preferred, a taphole can be drilled on site using the supplied bi-metal hole saw.
Cabinet:	Cabinet made in New Zealand. Soft-close drawer.
Notes:	5-year warranty. Drawings depict cabinet with Cleo basin top. Tapware & waste not included.

TOP:

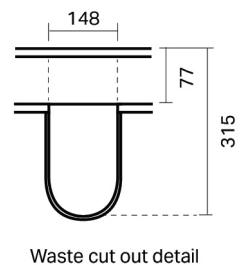


CABINET:

Overall vanity height = Cabinet height + Top thickness.



PLUMBING LOCATION:



IMPORTANT NOTE: Throughout this guide, dimensions may vary by ± 3 mm. Please read the installation manual for detailed information on installing the product. St. Michel pursues a policy of continuing improvement in design and manufacturing of its products. The right is therefore reserved to vary specifications without notice.

st.michel | essentials
BATHROOM collection

phone (09) 837 4276 email info@stmichel.co.nz stmichel.co.nz