

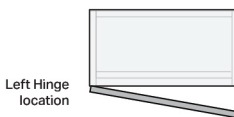
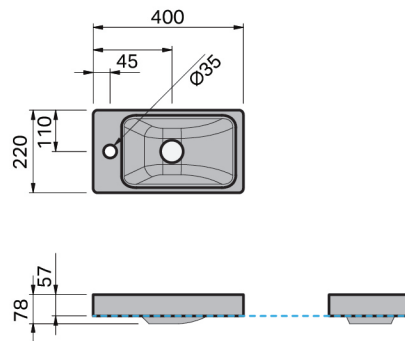
CITY LITE 22 CONSOLE 400 1D WALL, LEFT HINGED DOOR, ELI CERAMIC BASIN

SPECIFICATION



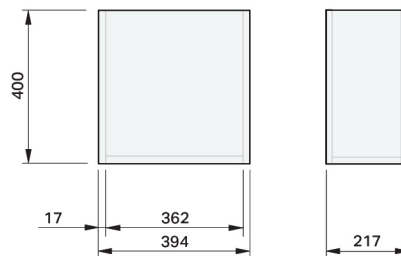
Product Code:	CL22-040C-BALW-[Finish code]-[Top code] Finish Codes: F01, F02 Top Codes: EWG (Eli White Gloss basin), EWM (Eli White Matte basin)
Top:	Eli Ceramic basin. Available in White Gloss and White Matte finishes. 2 litre bowl capacity. No overflow.
Taphole:	Both basin finishes supplied with taphole.
Cabinet:	Cabinet made in New Zealand. Soft-close door.
Notes:	5-year warranty. Drawings depict the left hinge version (BALW) with a Eli basin top. A separate specification is available for the right hinge version (BARW). Tapware & waste not included.

TOP:



CABINET:

Overall vanity height = Cabinet height + Top thickness.



IMPORTANT NOTE: Throughout this guide, cabinet dimensions are subject to a manufacturing tolerance of ± 2 mm. Ceramic basin dimensions are subject to a manufacturing tolerance of ± 5 mm. Please refer to the installation manual for detailed installation requirements. St Michel pursues a policy of continuous improvement in the design and manufacture of its products and therefore reserves the right to vary specifications without notice.

st.michel | essentials
BATHROOM collection

phone (09) 837 4276 email info@stmichel.co.nz stmichel.co.nz