

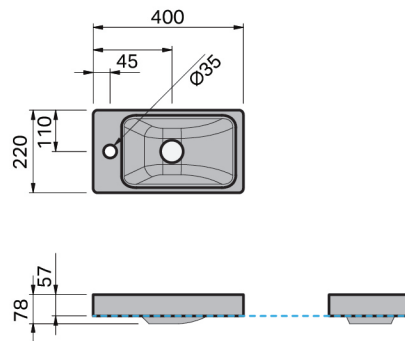
# CITY LITE 22 CONSOLE 400 1D WALL, RIGHT HINGED DOOR, ELI CERAMIC BASIN

## SPECIFICATION



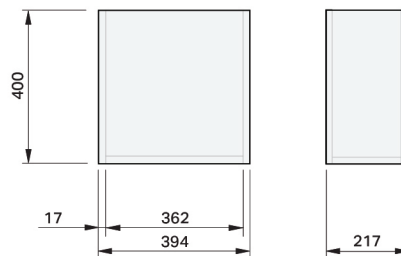
<b>Product Code:</b>	<b>CL22-040C-BARW-[Finish code]-[Top code]</b> Finish Codes: F01, F02 Top Codes: EWG (Eli White Gloss basin), EWM (Eli White Matte basin)
<b>Top:</b>	Eli Ceramic basin. Available in White Gloss and White Matte finishes. 2 litre bowl capacity. No overflow.
<b>Taphole:</b>	Both basin finishes supplied with taphole.
<b>Cabinet:</b>	Cabinet made in New Zealand. Soft-close door.
<b>Notes:</b>	5-year warranty. Drawings depict the right hinge version (BARW) with a Eli basin top. A separate specification is available for the left hinge version (BALW). Tapware & waste not included.

### TOP:



### CABINET:

Overall vanity height = Cabinet height + Top thickness.



**IMPORTANT NOTE:** Throughout this guide, cabinet dimensions are subject to a manufacturing tolerance of  $\pm 2$ mm. Ceramic basin dimensions are subject to a manufacturing tolerance of  $\pm 5$ mm. Please refer to the installation manual for detailed installation requirements. St Michel pursues a policy of continuous improvement in the design and manufacture of its products and therefore reserves the right to vary specifications without notice.

st.michel | essentials  
BATHROOM collection

phone (09) 837 4276 email info@stmichel.co.nz stmichel.co.nz