

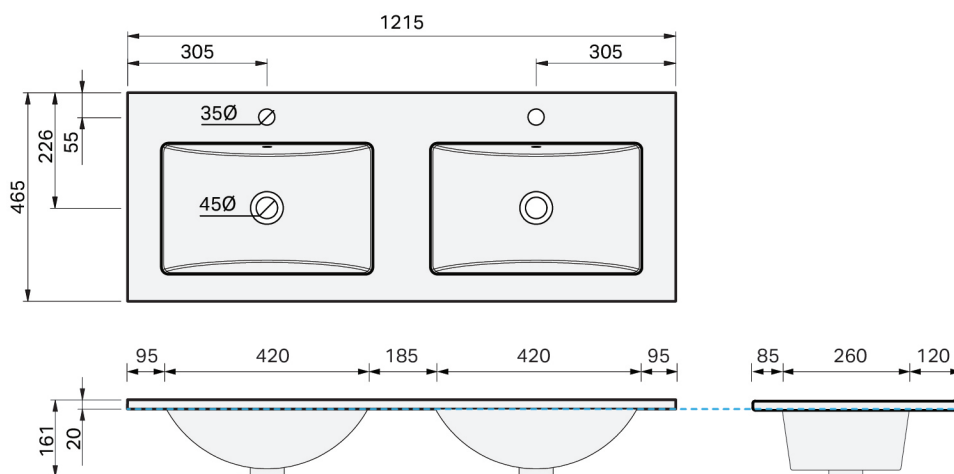
# CITY LITE 46 CONSOLE 1200DB 2DR MAXI WALL, RUBIK CERAMIC BASIN CERAMIC BASIN

## SPECIFICATION



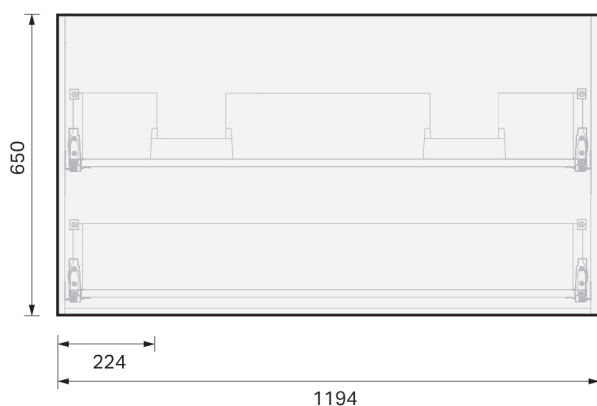
<b>Product Code:</b>	<b>CL46-120D-ACAM-[Finish Code]-[Top Code]</b> Finish Codes: F01, F02 Top Codes: RWG (Rubik White Gloss basin), RWM (Rubik White Matte basin)
<b>Top:</b>	Rubik ceramic basin. Available in White Gloss and White Matte finishes. 6.5 litre bowl capacity. Overflow rated at 9L per minute.
<b>Taphole:</b>	Both basin finishes supplied with taphole.
<b>Cabinet:</b>	Cabinet made in New Zealand. Soft-close drawer.
<b>Notes:</b>	5-year warranty. Drawings depict cabinet with Rubik basin top. Tapware & waste not included.

### TOP:

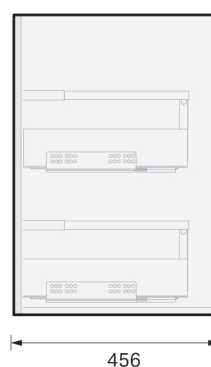
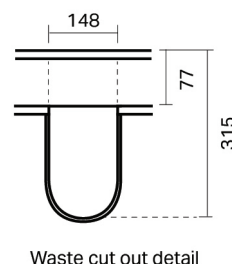


### CABINET:

Overall vanity height = Cabinet height + Top thickness.



### PLUMBING LOCATION:



**IMPORTANT NOTE:** Throughout this guide, cabinet dimensions are subject to a manufacturing tolerance of  $\pm 2$ mm. Ceramic basin dimensions are subject to a manufacturing tolerance of  $\pm 5$ mm. Please refer to the installation manual for detailed installation requirements. St Michel pursues a policy of continuous improvement in the design and manufacture of its products and therefore reserves the right to vary specifications without notice.

st.michel | essentials  
BATHROOM collection

phone (09) 837 4276 email info@stmichel.co.nz stmichel.co.nz