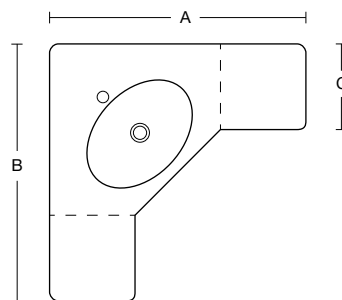
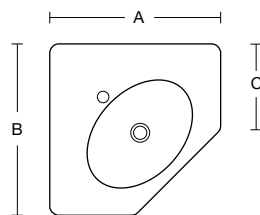


CORNERS BASIN ACRYLIC BASIN



Corners			
Description	A	B	C
Corner 600 x 600	600	600	300
Corner 600 x 900	600	900	300
Corner 900 x 600	900	600	300
Corner 900 x 900	900	900	300



Standard Tap Size	35 mm
Standard Waste Size	32 mm
Basin Depth	150 mm
Depth to Overflow	N/A

All dimensions are in millimetres nominal. 06/12