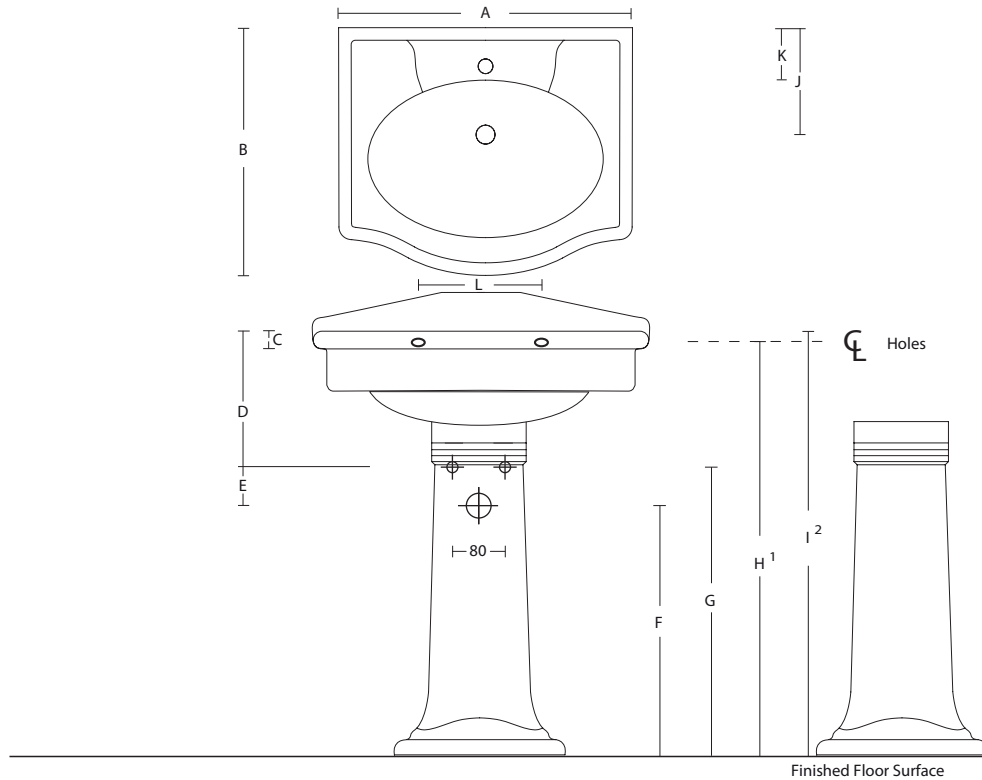


ROYAL 700 BASIN & PEDESTAL

- Please note: When installing a wall hung St Michel basin, determine the bench top height of the cabinet (i.e. Dimension 'I') before positioning wall nog and calculating plumbing connections.



Description	A	B	C	D	E	F	G	H	I	J	K	L	Bowl Size		
													Width	Depth	Height
Royal 700	710	580	40	200	110	520	630	780	830	215	130	260	560	375	170
Royal 700 Basin	710	580	40	200	110	520	630	780	830	215	130	260	560	375	170

Standard Supply		<p>1 Ensure nog is oversized to cope with variations in fixing hole spacing. As hole positions vary top to top due to production limitations it will be necessary to place the basin in position and mark through the holes in the top.</p> <p>2 If you increase or decrease height of vessel basin (i.e. dimension I) then F, G, H dimensions must be amended accordingly.</p> <p>NOTE: Waste outlet positioned for standard chrome bottletrap and pop-up basin waste.</p>
Tap Hole	2	
Colour	White	
Integral Overflow	Yes	

All dimensions are in millimetres nominal. St Michel Industries Ltd has the right to change product and specifications without notice. 04/13