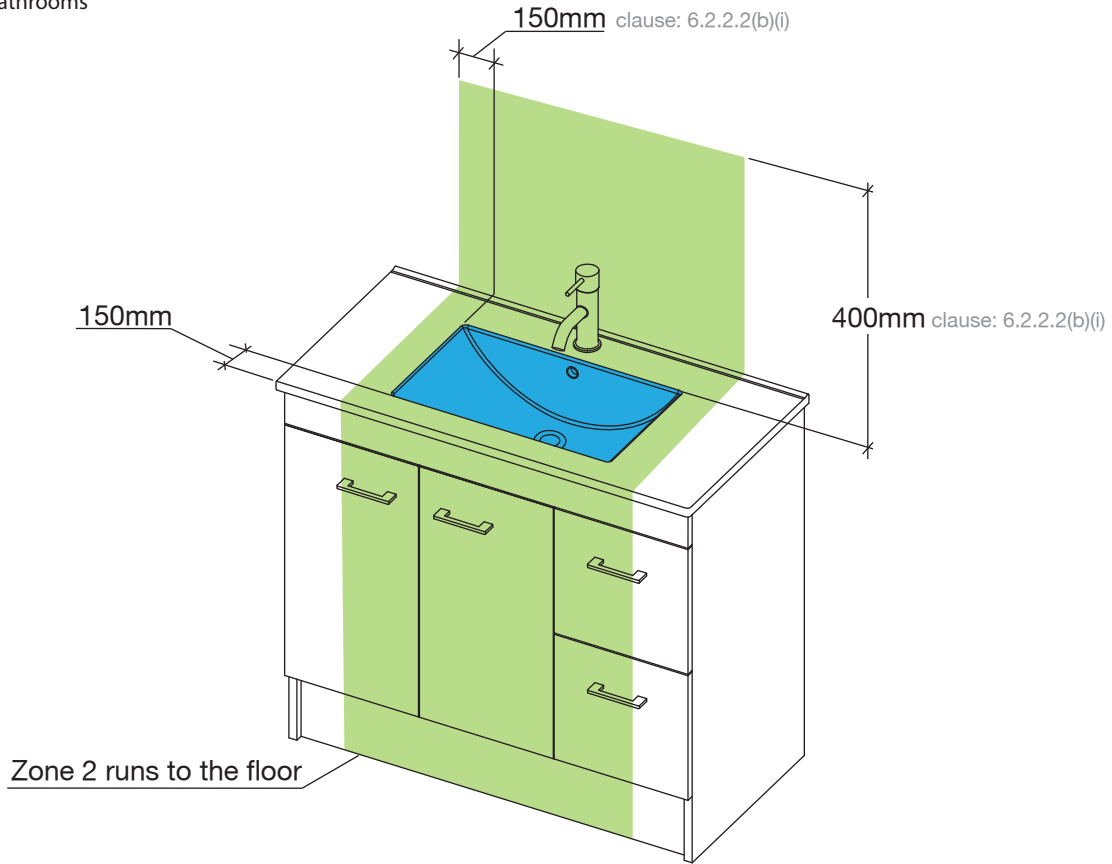


Electrical Information

Electrical Standards (AS/NZS 3000:2007)
For Residential Bathrooms



ZONE	AREA	ELECTRICAL ALLOWANCES
0	This is a fixed water container with a capacity not exceeding 45L, such as a basin or vessel	No sockets or lights in this area clause: 6.2.4.2(a)
2	This is a measured area outside of the fixed water container	<ul style="list-style-type: none"> - Sockets are allowed if it is a shaver outlet complying with AS/NZS314 clause: 6.2.4.2(b)(i) - An RCD protected power point less than 30mA enclosed within a closed cupboard clause: 6.2.4.2(b)(ii) - IP44 LED lighting (ELV - Extra Low Voltage) with the controller positioned outside of Zone 2 clause: 6.2.4.4(b)(ii)
Outside of zone 0 & 2	You can have sockets and lights, all must be RCD protected to meet the reqs of clause: 1.5.5.2. The back of the socket needs to be protected, for example a case on the back of a socket installed on a drawer to meet clauses: 1.5.1,1.5.3,1.5.4	

Revised: 12/2015