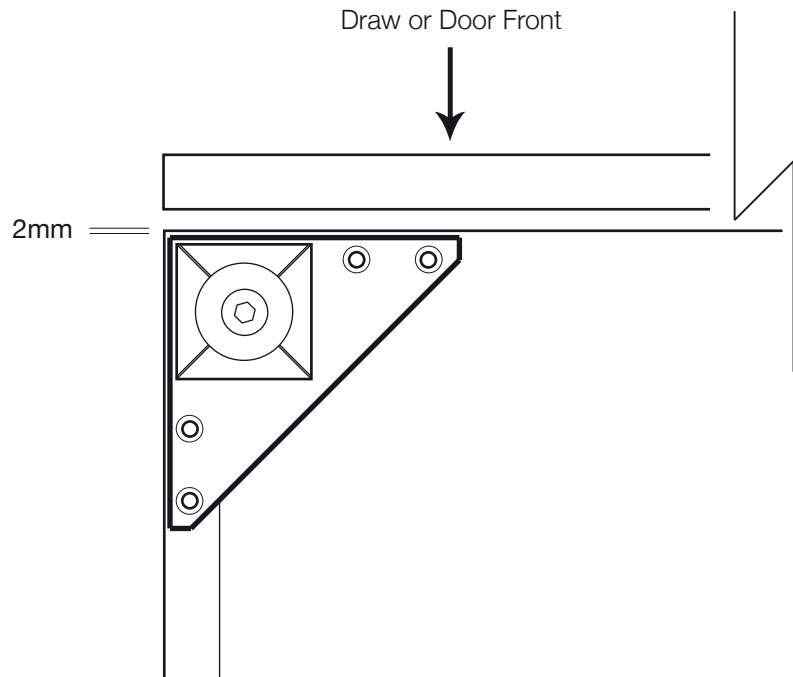
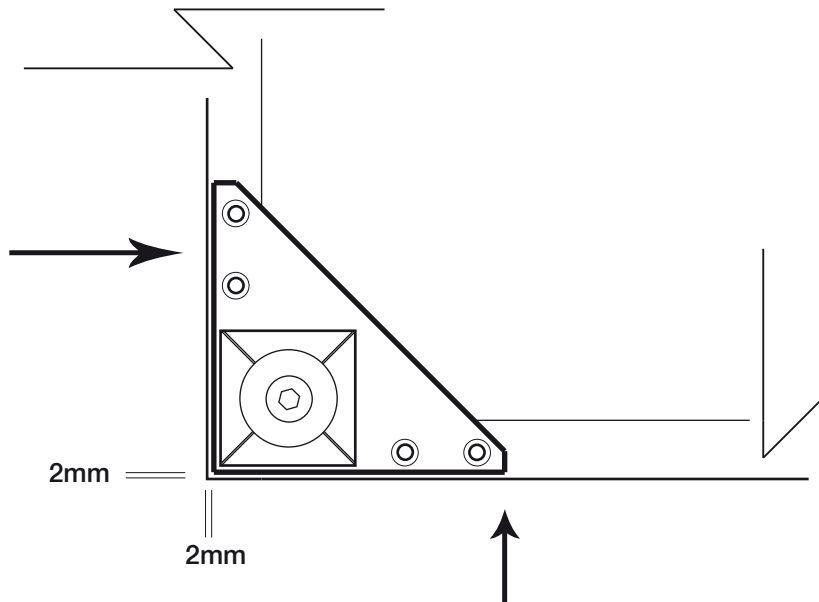


LEG ATTACHMENT INSTRUCTIONS ADJUSTABLE LEG

Please use screws supplied by St Michel when fixing legs to the cabinet. We recommend pre-drilling with a 3mm pilot hole.



The Legs base plate is placed 2mm in from the out side edges of the cabinet.



NB: When skirting is present, legs located on the back of the cabinet may need to be repositioned inward to allow the back of the cabinet to lay flat with the wall.