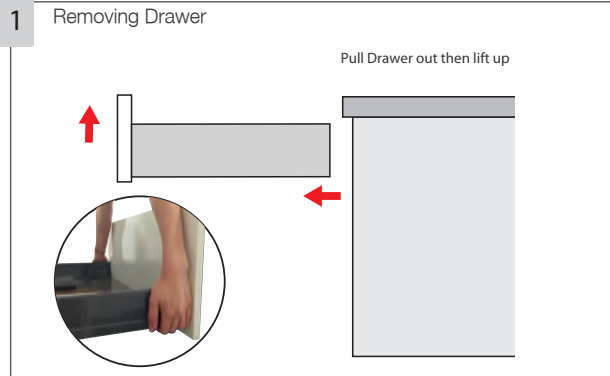


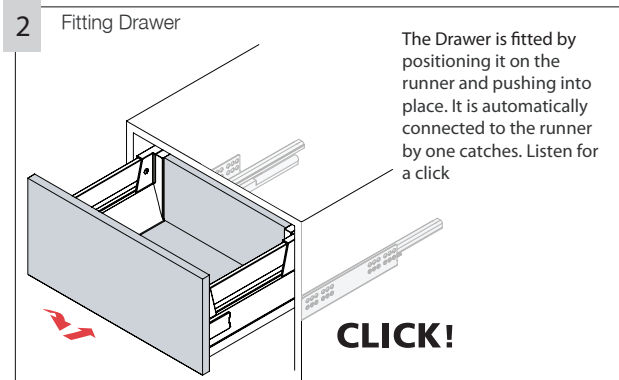
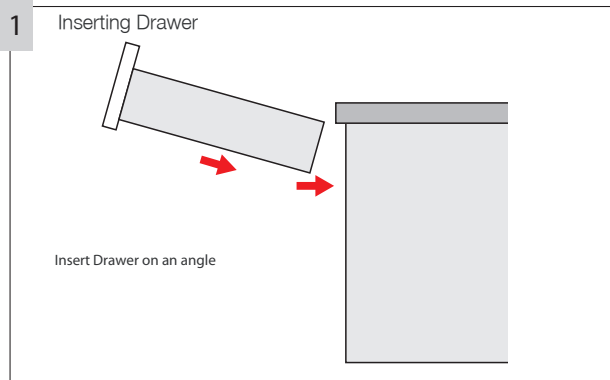
Drawer Box Installation

D - Type

Removing Drawer



Inserting Drawer



Adjustment

Adjust Drawer Front as Required

Please use a phillips head screw driver to make adjustments

