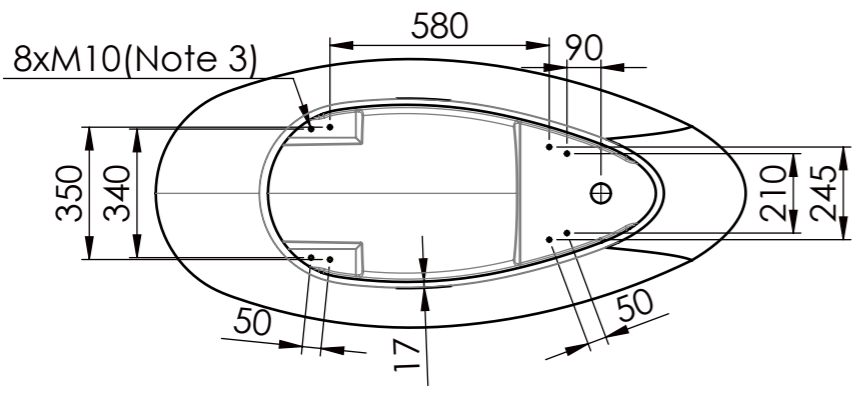


- Note:**  
 1)Water volume(full bathtub) 270 L  
 2)Weigth 80kg empty & 620kg full  
 3)Steel bearings  
 4)Chrome plug & waste included  
 5)Hidden leg adjustment



Tolerance length/width/hight	+10/-10 mm	Art. Name:			
Tol. plane bending	≤800 mm	+1,5/-1,5 mm	RITA Bath 1560		
	>800 mm	+3/-3 mm			
Tolerance holes location	+3/-3 mm	Code No:	Overflow	Tophole	Main dimensions L x W / H (mm)
Tolerance wall thickness	+1/-1 mm	2245Rita bath white	No	0	1560 x 710 / 560
Tolerance feet location	+5/-5 mm	2246Rita bath black & white	Sheet Size	Scale	
			A3	1:15	