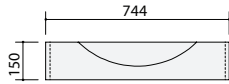


CABINET SPECIFICATIONS

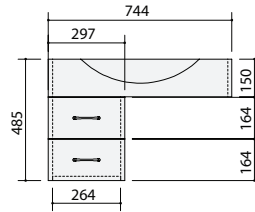
Vanity Range: Easy Euro S/R Basin: Corrine

Drawings depict cabinet only. Dotted lines indicate internal cabinet parts.
Gaps inbetween doors and drawers are 2mm. All measurements are in millimetres and are +/- 2mm.

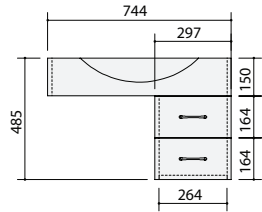
Easy Euro SR 750 Wall



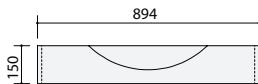
Easy Euro SR 750 Wall - 2 Drawers Left



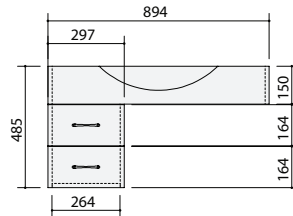
Easy Euro SR 750 Wall - 2 Drawers Right



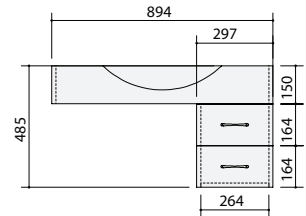
Easy Euro SR 900 Wall



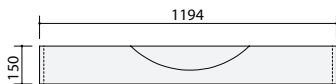
Easy Euro SR 900 Wall - 2 Drawers Left



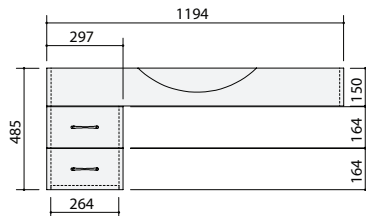
Easy Euro SR 900 Wall - 2 Drawers Right



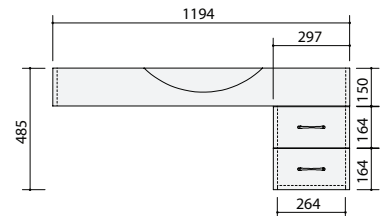
Easy Euro SR 1200 Wall



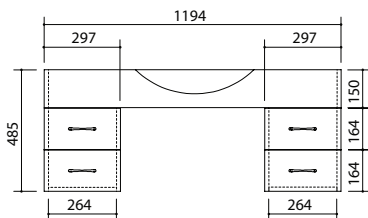
Easy Euro SR 1200 Wall - 2 Drawers Left



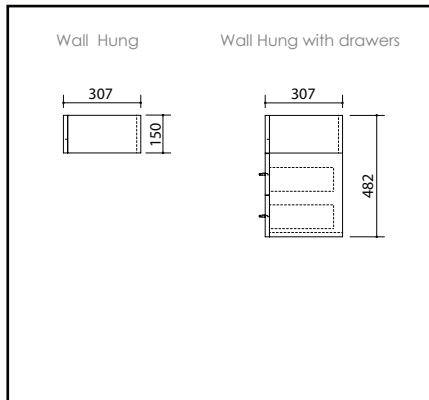
Easy Euro SR 1200 Wall - 2 Drawers Right



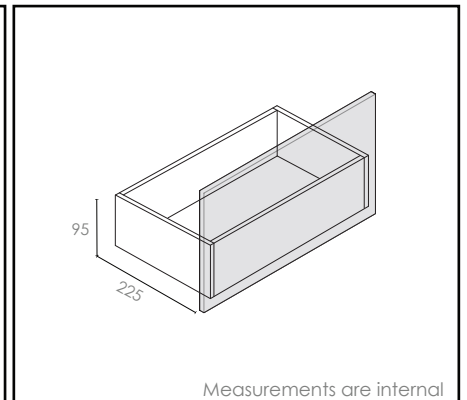
Easy Euro SR 1200 Wall - 2 Drawers Right



End View



Drawer Detail

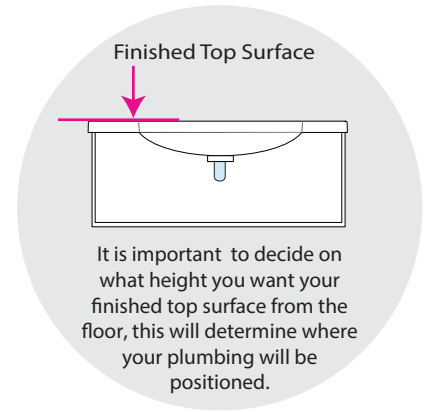


Measurements are internal

St Michel pursues a policy of continuing improvement in design and manufacturing of its products. The right is therefore reserved to vary specifications without notice | Revised 03/2018

Vanity Range Easy Euro S/R Basin Corinne - Mineral Cast

- We suggest that you install your Wall hung vanity between 830-950mm high to the finished top surface. Floor mounted vanities have set heights
- For internal division positions - please refer to cabinet specifications
- Note: Waste outlet positioned for standard chrome bottletrap and pop up basin waste.
- Illustrations are representations and not to scale

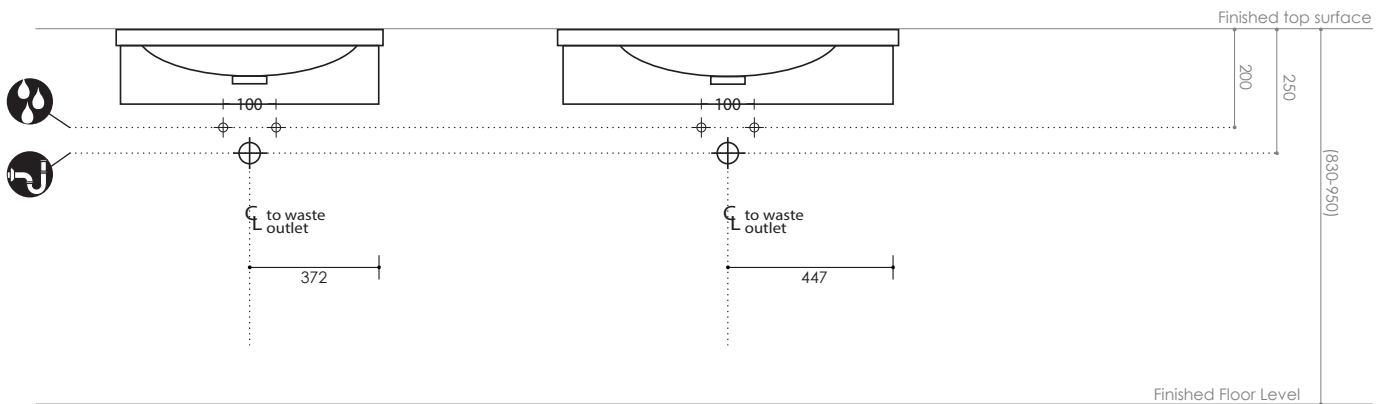


Easy Euro S/R 750

Product No: 63210, 63211, 63212

Easy Euro S/R 900

Product No: 63213, 63214, 63215



Easy Euro S/R 1200

Product No: 36216, 63217, 63218, 63219

