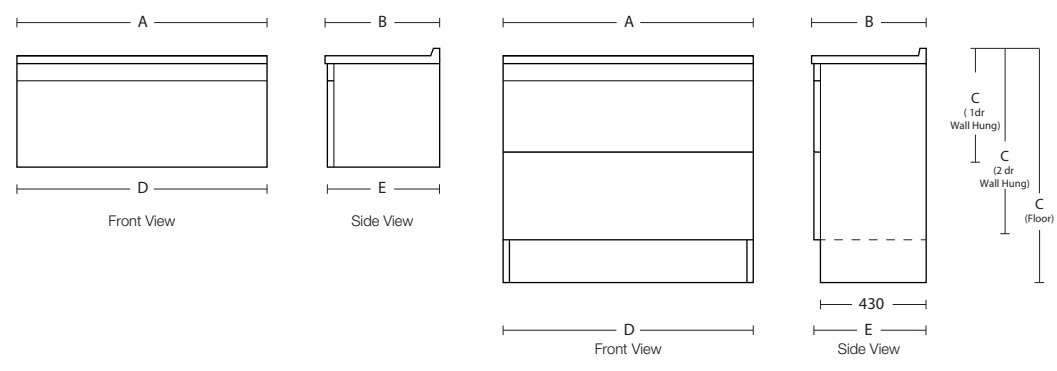


# Cabinet Specification



Nes						
	Description	A - Ceramic/Acrylic	B	C - Ceramic/Acrylic	D	E
<input type="checkbox"/>	Nes Wall 750 1dr	755/750	460	430/450	744	450
<input type="checkbox"/>	Nes Wall 750 2dr	755/750	460	680/700	744	450
<input type="checkbox"/>	Nes Floor 750 2dr	755/750	460	830/850	744	450
<input type="checkbox"/>	Nes Wall 900 1dr	915/900	460	430/450	894	450
<input type="checkbox"/>	Nes Wall 900 2dr	915/900	460	680/700	894	450
<input type="checkbox"/>	Nes Floor 900 2dr	915/900	460	830/850	894	450
<input type="checkbox"/>	Nes Wall 1200 1d 1dr	1215/1200	460	430/450	1194	450
<input type="checkbox"/>	Nes Wall 1200 1d 2dr	1215/1200	460	680/700	1194	450
<input type="checkbox"/>	Nes Floor 1200 1 d 2dr	1215/1200	460	830/850	1194	450
<input type="checkbox"/>	Nes Wall 1200 Double 2dr	1215/NA	460	450/NA	1194	450
<input type="checkbox"/>	Nes Wall 1200 Double 4dr	1215/NA	460	700/NA	1194	450
<input type="checkbox"/>	Nes Floor 1200 Double 4dr	1215/NA	460	850/NA	1194	450

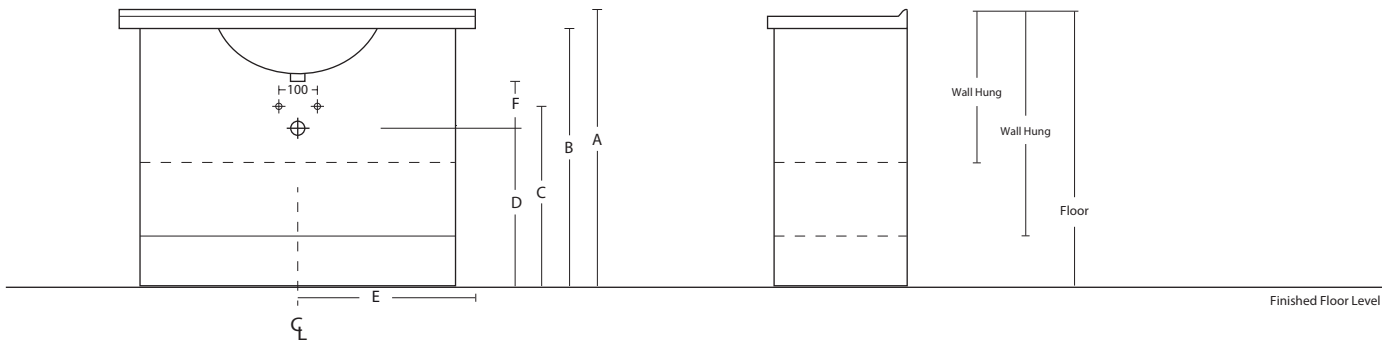


Revised: 12/2015

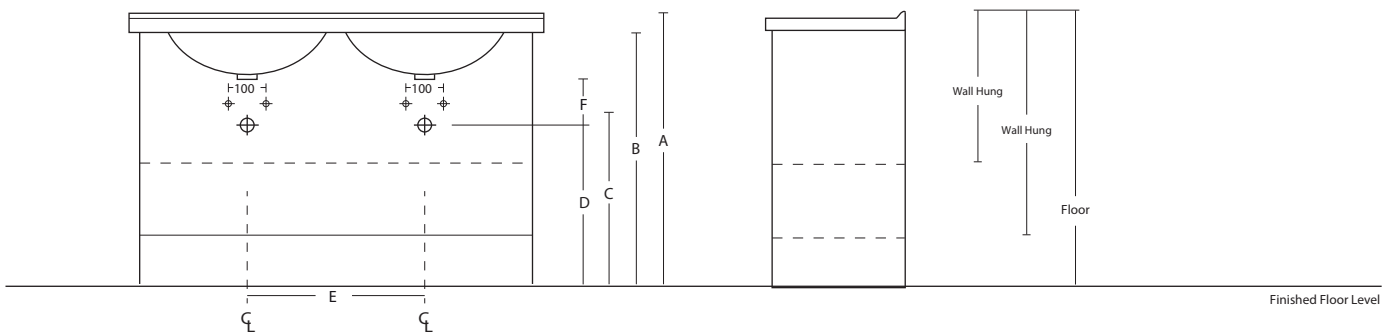
# Plumbing Positions

PLEASE NOTE: With wall hung vanities, we suggest you adjust the measurements to suit your individual height preference

## Nes 750, 900, 1200 Centre



## Nes 1200 Double



Description	Basin Size	Basin Type	A	B	C	D	E	F
			(Basin Top)	(Cabinet Height)				
Palo	Single 750, 900, 1200	Palo - Acrylic	820	800	630	560	⊥ Basin	110
Rubik	Single 750, 900, 1200	Rubik - Ceramic	820	800	590	530	⊥ Basin	110
Rubik	Double 1200	Rubik - Ceramic	820	800	590	530	600	110

Standard Supply		If you increase or decrease height of basin (i.e. dimension A) then C + D dimensions must be amended accordingly.
Tap Hole	1	F measurement is boottom of basin outlet to centre of wall waste pipe - if another waste trap is used, you will have to confirm F measurement suits or adjust accordingly.
Colour	White	NOTE: Waste outlet positioned for standard chrome bottletrap and pop-up basin waste.
Integral Overflow	YES	