

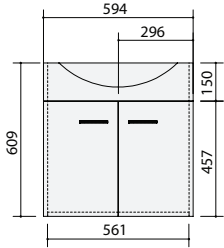
CABINET SPECIFICATIONS

Vanity Range: Casa

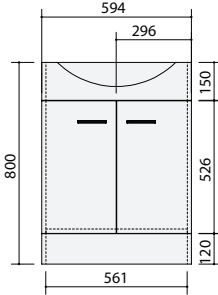
Basin: Corinne

Drawings depict cabinet only. Dotted lines indicate internal cabinet parts.
Gaps inbetween doors and drawers are 2mm. All measurements are in millimetres and are +/- 2mm.

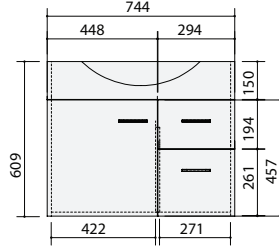
Casa 600 Wall



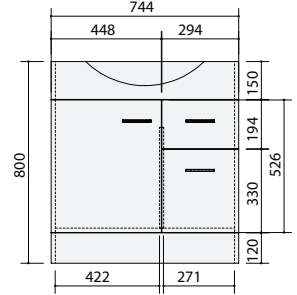
Casa 600 Floor



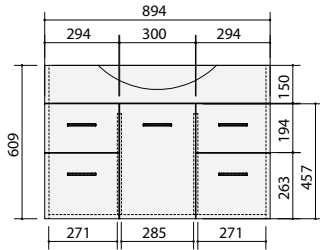
Casa 750 Wall



Casa 750 Floor



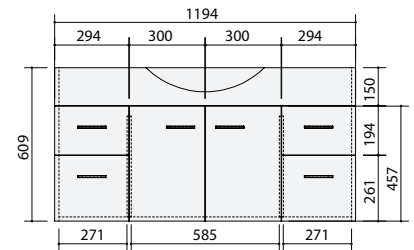
Casa 900 Wall



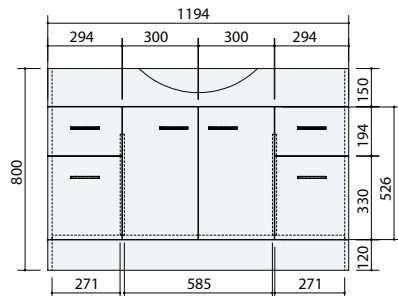
Casa 900 Floor



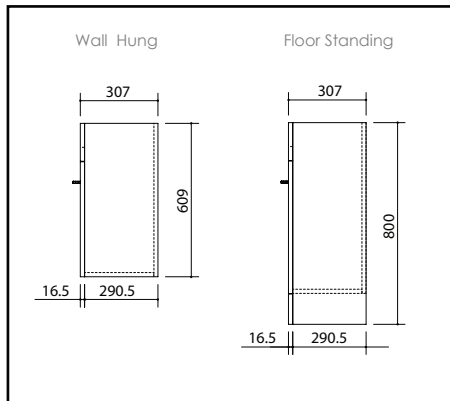
Casa 1200 Wall



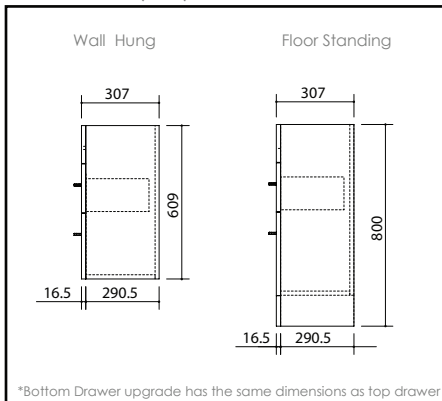
Casa 1200 Floor



End View - 600 model

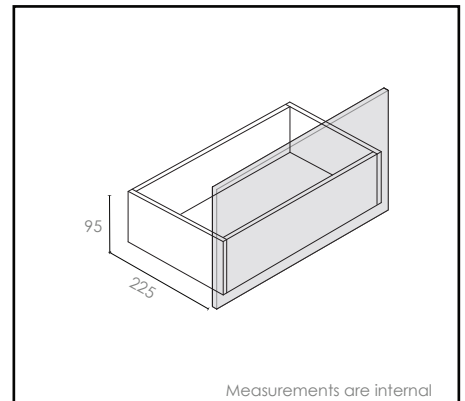


End View - 750, 900, 1200 model



*Bottom Drawer upgrade has the same dimensions as top drawer

Drawer Detail



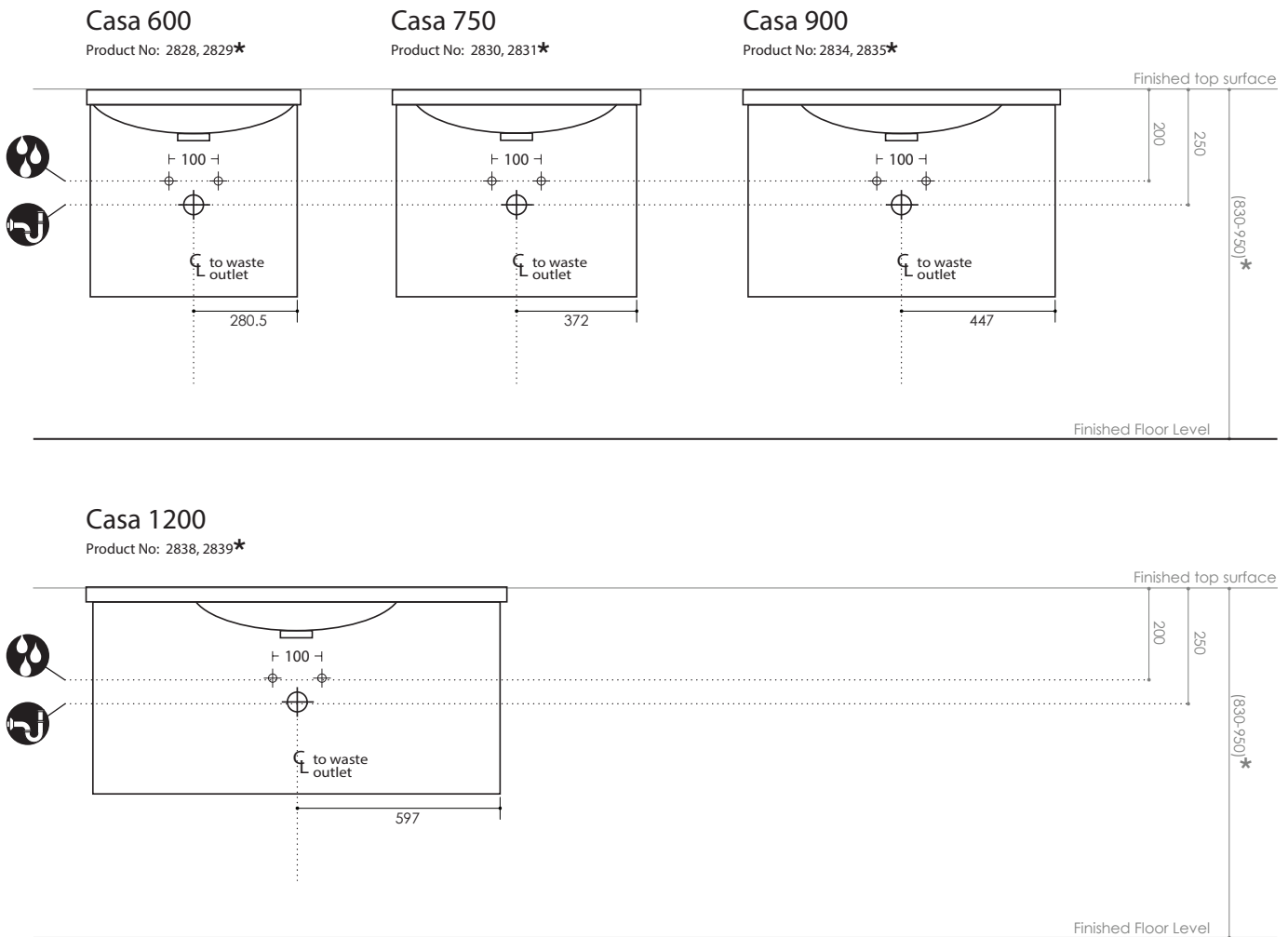
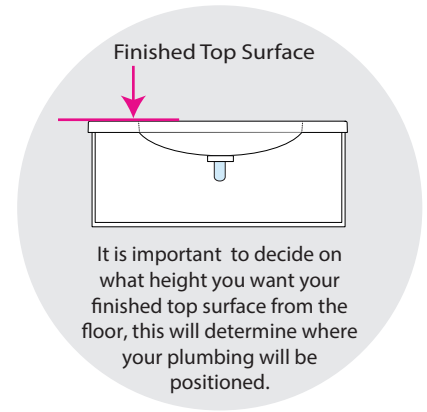
St Michel pursues a policy of continuing improvement in design and manufacturing of its products. The right is therefore reserved to vary specifications without notice | Revised 01/2018

PLUMBING POSITIONS

Vanity Range Basin

Casa
Corinne - Mineral Cast

- We suggest that you install your Wall hung vanity between 830-950mm high to the finished top surface. Floor mounted vanities have set heights
- For internal division positions - please refer to cabinet specifications
- Note: Waste outlet positioned for standard chrome bottletrap and pop up basin waste.
- Illustrations are representations and not to scale



***Floor mounted vanities will have a finished top surface height of : 830mm**

Floor Standing vanites can also be plumbed through the floor

