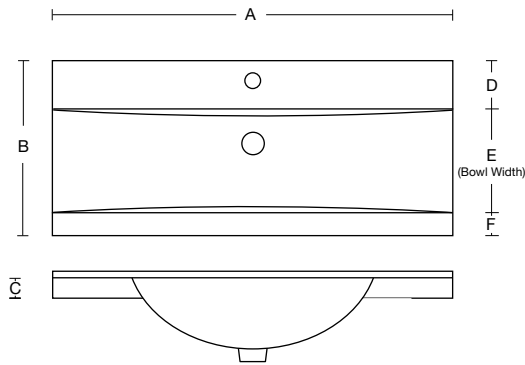


# CLEVER BASIN CERAMIC CONSOLE BASIN



Clever						
Description	A	B	C	D	E	F
Clever Counter	515	390	15	105	235	50
Clever 500	500	390	40	110	230	50
Clever 600	600	390	40	110	230	50
Clever 700	700	390	40	110	230	50
Clever 800	800	390	40	110	230	50
Clever 900	900	390	40	110	230	50

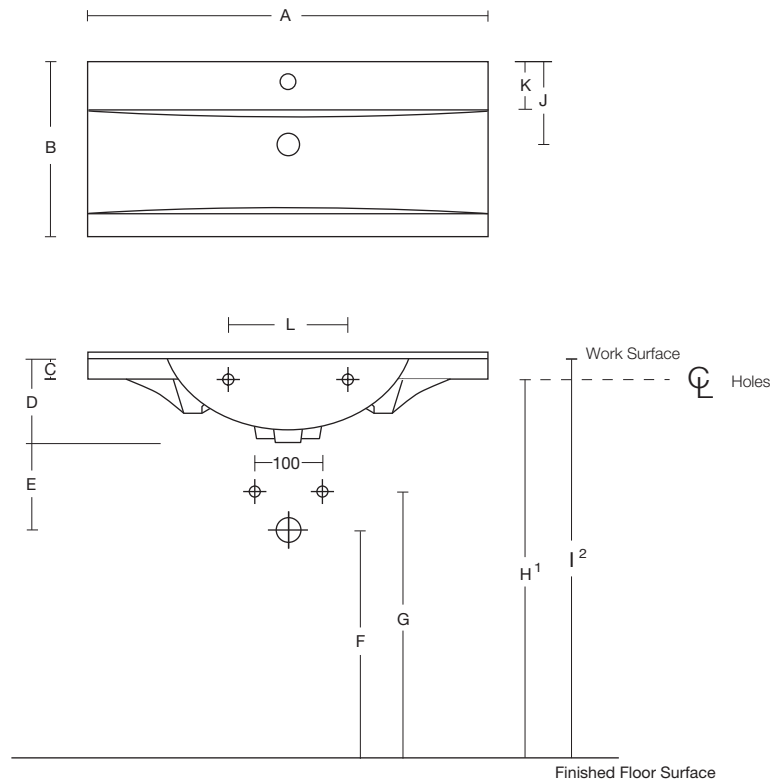


Standard Tap Size	35 mm
Standard Waste Size	32 mm
Basin Depth	140 mm
Depth to Overflow	100 mm

All dimensions are in millimetres nominal. 06/12

# CLEVER BASIN

- **Please note:** When installing a wall hung St Michel basin, determine the bench top height of the cabinet ( i.e. Dimension 'I' ) before positioning wall nog and calculating plumbing connections.



Description	A	B	C	D	E	F	G	H	I	J	K	L	Bowl Size		
													Width	Depth	Height
Clever	500	390	40	190	110	570	650	830	870	190	105	280	415	235	140
Clever	600	390	40	190	110	570	650	830	870	190	105	280	530	235	140
Clever	700	390	40	190	110	570	650	830	870	190	105	280	590	235	140
Clever	800	390	40	190	110	570	650	830	870	190	105	280	685	235	140
Clever	900	390	40	190	110	570	650	830	870	190	105	280	785	235	140

<b>Standard Supply</b>		<p><b>1</b> Ensure nog is oversized to cope with variations in fixing hole spacing. As hole positions vary top to top due to production limitations it will be necessary to place the basin in position and mark through the holes in the top.</p> <p><b>2</b> If you increase or decrease height of vessel basin (i.e. dimension I) then F, G, H dimensions must be amended accordingly.</p> <p><b>NOTE:</b> Waste outlet positioned for standard chrome bottletrap and pop-up basin waste.</p>
Tap Hole	1	
Colour	White	
Integral Overflow	Yes	

All dimensions are in millimetres nominal. St Michel Industries Ltd has the right to change product and specifications without notice. 11/12