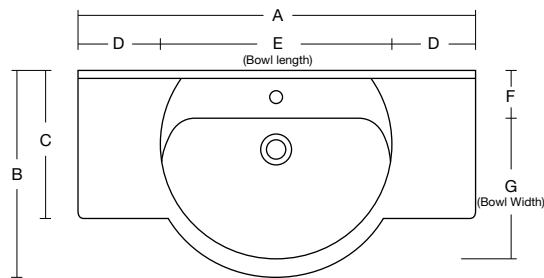


# DOMUS BASIN CERAMIC CONSOLE BASIN



Domus							
Description	A	B	C	D	E	F	G
Domus 550	550	440	320	50	430	140	260
Domus 650	650	450	340	90	470	140	270
Domus 750	750	480	360	110	480	135	290
Domus 850	850	480	360	160	480	135	290
Domus 950	950	500	360	200	500	135	330
Domus 1050	1050	500	360	250	500	135	330

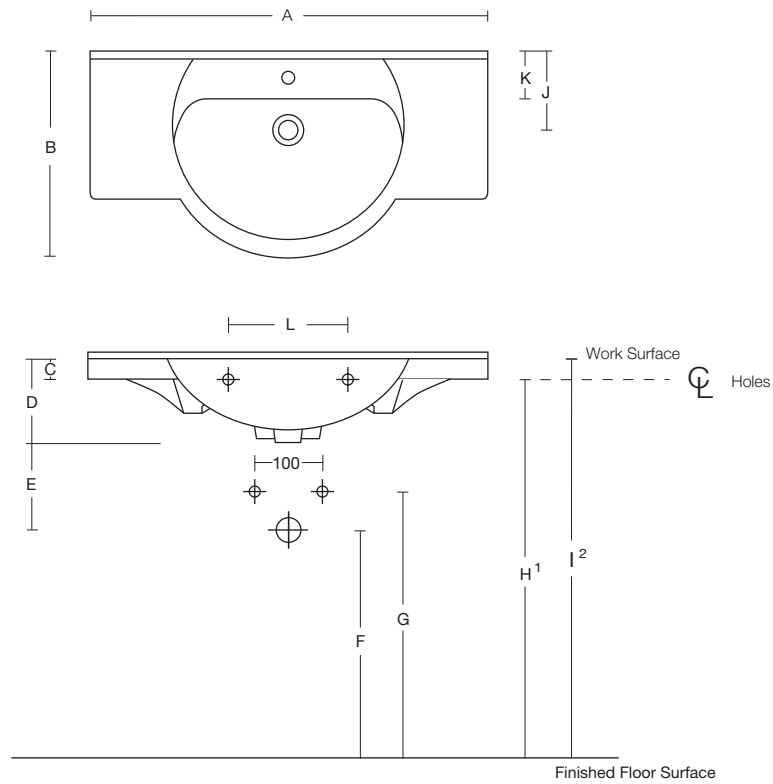


Standard Tap Size	35 mm
Standard Waste Size	32 mm
Basin Depth	Approx. 120 mm
Depth to Overflow	Approx. 100 mm

All dimensions are in millimetres nominal. 11/12

# DOMUS BASIN

- **Please note:** When installing a wall hung St Michel basin, determine the bench top height of the cabinet ( i.e. Dimension 'I' ) before positioning wall nog and calculating plumbing connections.



Description	A	B	C	D	E	F	G	H	I	J	K	L	Bowl Size		
													Width	Depth	Height
Domus	550	440	40	170	115	565	630	800	850	190	140	180	430	250	120
Domus	650	450	40	170	115	565	630	800	850	190	140	185	430	250	120
Domus	750	480	50	200	110	540	630	800	850	200	135	350	500	300	140
Domus	850	480	50	200	110	540	630	800	850	200	135	350	500	300	140
Domus	950	500	50	200	110	540	630	800	850	200	135	710	520	330	150
Domus	1050	500	50	200	110	540	630	800	850	200	135	710	520	330	150

Standard Supply		<p><b>1</b> Ensure nog is oversized to cope with variations in fixing hole spacing. As hole positions vary top to top due to production limitations it will be necessary to place the basin in position and mark through the holes in the top.</p> <p><b>2</b> If you increase or decrease height of vessel basin (i.e. dimension I) then F, G, H dimensions must be amended accordingly.</p> <p><b>NOTE:</b> Waste outlet positioned for standard chrome bottletrap and pop-up basin waste.</p>
Tap Hole	1	
Colour	White	
Integral Overflow	Yes	

All dimensions are in millimetres nominal. St Michel Industries Ltd has the right to change product and specifications without notice. 11/12